

ROGUE

REAR SHOCK NOTES

VELDURO

Welcome to the Velduro family!

This shock compatible notes explains the how to choice shock for your Velduro Rogue.
Please read this notes before you purchase your shock.

Rear Shock Requirement

Mounting requirement: Trunnion, m8*30
Eye to eye length: 205mm
Stroke: No longer than 65mm.

Best Choice for your Rogue

Best choice for enduro riding

FOX Float X2 2026 205X65 Metric Trunnion (FOX Factory Tuned)

FOX DHX2 2026 205X65 Metric Trunnion (FOX Factory Tuned)

Other good choice for enduro riding

Ohlins TTX2Air TM 205X65 AM

Ohlins TTX22M.2Coil TM 205x65 AM

EXT ARIA 205x65 Metric Trunnion

EXT e-STORIA 205x65 Metric Trunnion

Shock Stroke and Frame Travel Comparison

Different rear shock strokes will affect the frame travel. The optimal setting is that a 65mm stroke rear shock corresponds to a maximum 172mm frame travel. If you need to install a rear shock with a different stroke, please refer to the following table for selection.

		Frame Rear Travel(in mm)			
		279 Mullet		Dual 29inch	
Shock position		STD	PRO	STD	PRO
Shock Stroke	205X65mm	165	170	167	172
	205X62.5mm	160	165	162	167
	205X60mm	155	160	157	162
	205X57.5mm	150	155	152	157

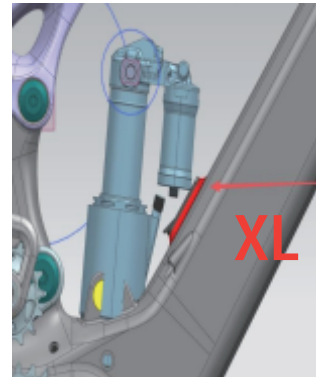
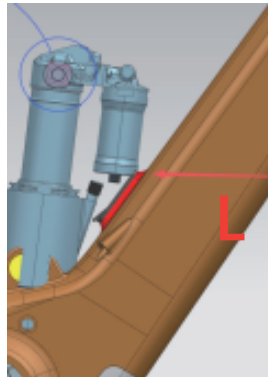
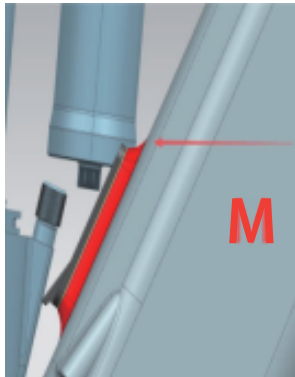
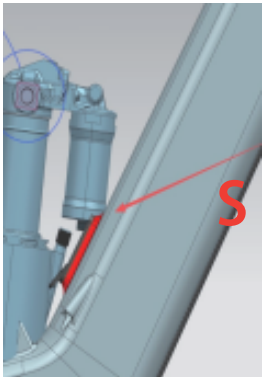
Trade-offs in Frame Design: Rear Shock Selectivity and Seatpost Insertion Depth

Designing an excellent full-suspension bicycle frame is a complex process, especially for a high-pivot e-MTB. The location of the charging port is a difficult choice—the wiring harness with limited length restricts the charging port to the area around the motor. After multiple rounds of design, we made a tough decision: an enduro mountain bike cannot do without an ultra-low standover height and extra-long dropper travel, so sacrificing rear shock selectivity became the only option.

	Standover	Seatpost Insert	Dropper Travel
S-Size	691.5mm	262mm	180mm
M-Size	702.5mm	282mm	210mm
L-Size	723mm	302mm	210mm
XL-Size	726mm	325mm	240mm

Why VIVID Shock Might Not Work for Rogue: Different Frame Sizes have Different Rear Shock Room

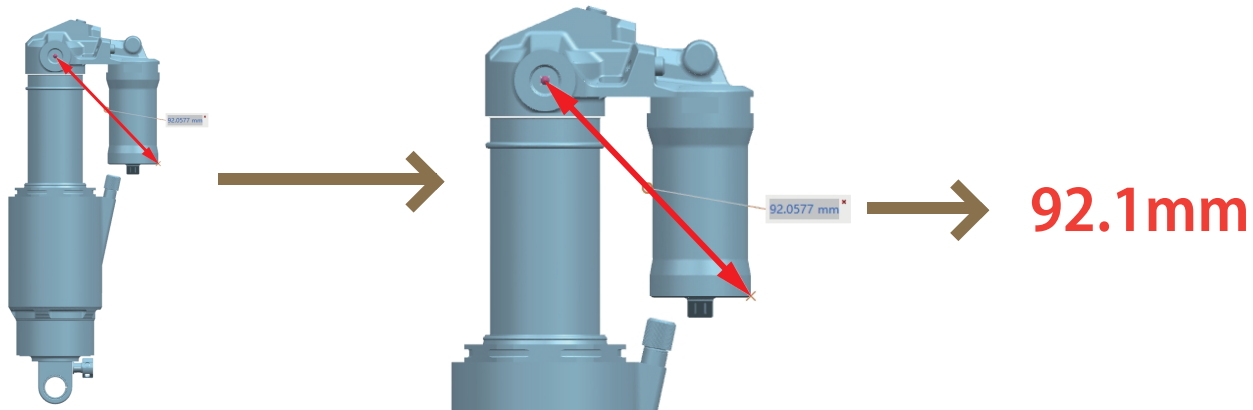
Based on the geometric design of the front triangle sizes of different frames, the space available for rear shocks varies. Size S has the smallest space, while Size XL has the largest. If your Rogue is an XL-Size model, you can choose almost all rear shocks available on the market, whereas only SMALL PIGGYBACK rear shocks are recommended for Size S. In the first phase of the Rogue's design, we used 62.5mm stroke Rockshox VIVID rear shocks for long-term riding tests. The VIVID is an excellent rear shock, but after we went through the difficult choice between the rear shock and the dropper seatpost, the front triangle space had to be reduced. As a result, the VIVID is no longer a universal choice and has become exclusive to XL-Size (under 60mm stroke).



How to Check if a Shock Fits: Three Steps to Confirm if Your Rear Shock is Compatible

Step 1: Identify the rear shock model you want. If it is not listed at the end of this article, you need to measure the rear shock and confirm whether it matches the frame size, rear shock stroke, and rear shock piggyback size compatibility chart.

The measurement method is shown in the figure below: first, find the center of the bolt hole of the Trunnion mount on the top of the rear shock, then locate the farthest end of the piggyback. Measure the horizontal distance from the center of the bolt hole to the farthest end of the piggyback. Note that it is the horizontal distance, not the straight-line distance.



How to Check if a Shock Fits: Three Steps to Confirm if Your Rear Shock is Compatible

Step 2: Determine the riding style corresponding to the stroke you need. As mentioned in Shock Stroke and Frame Travel Comparison, your Rogue can provide different frame rear travels ranging from 150mm to 172mm, offering top-tier experiences from trail to enduro riding—all of which depend on your rear shock stroke selection, and this selection will in turn affect your choice of rear shock.

Step 3: Identify the rear shock model you want. If it is not listed at the end of this article, you need to measure the rear shock and confirm whether it matches the frame size, rear shock stroke, and rear shock piggyback size compatibility chart.

Absolute Distance For Shock(in mm)

	Frame size	S-Size	M-Size	L-Size	XL-Size
Shock Stroke	205X65mm	80.3	82.4	85.3	87.5
	205X62.5mm	82.8	84.8	87.7	89.7
	205X60mm	85.2	87.2	90	92
	205X57.5mm	87.5	89.7	92.6	94.4

Please note that the absolute distance is not a safe distance. Ensure your rear shock distance is 3-5mm less than the absolute distance to guarantee safety.

Shock Compatible and Incompatible List

This list does not include shocks without piggyback, rogue supports nearly all shocks without piggyback. This table categorizes by Frame size. If marked "65," it indicates support up to 65mm stroke shock for this size frame. If marked "No," it indicates do not support even with 57.5mm stroke.

Shock Compatible List by Stroke

	Frame size	S-Size	M-Size	L-Size	XL-Size
FOX	Float X2 2026	65	65	65	65
	DHX2 2026	65	65	65	65
	Others	No	No	No	No
Rockshox	VIVID	No	No	57.5	60
	VIVID Coil	No	No	57.5	60
	Super Deluxe	No	No	57.5	60
	Super Deluxe coil	No	No	57.5	60
Ohlins	TTX1 Air TM	65	65	65	65
	TTX22 M.2 Coil TM	65	65	65	65
	TTX22 M.2 Coil TM PB	No	No	No	No
	TTX2AIR TM AM	65	65	65	65
	TTX2AIR m.2 TM AM	65	65	65	65

	Frame size	S-Size	M-Size	L-Size	XL-Size
Marzocchi	Bomber CR	No	No	No	No
	Bomber Air	No	No	No	No
Canecreek	Tigon				
	Kitsuma Air				
	kitsuma Coil				
	DB kitsuma G1 Air				
	DB Kitsuma G1 Coil				
Intend	Hover Monocoque	No	No	No	No
Push	SV Eight	No	No	No	No
	VT/X	No	No	No	No
	Elevensix	No	No	No	No
EXT	Vecta	No	No	No	No
	Storia V4	No	No	57.5	60
	Arma V4	No	No	57.5	60
	Aria	65	65	65	65
	E-storia	65	65	65	65

DEFY THE LIMIT.

VELDURO