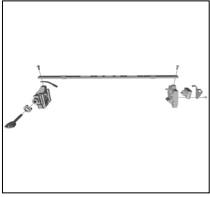




**TREK**

**2025 RIB 2.0**  
SERVICE MANUAL SUPPLEMENT

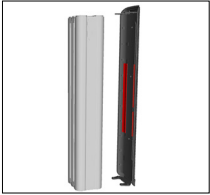
# Contents



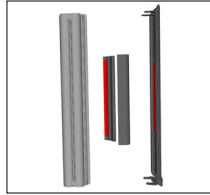
[Docking system and lock assembly](#)



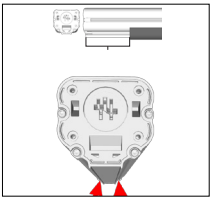
[Docking system installation](#)



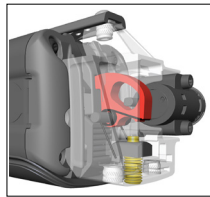
[800 Wh battery](#)



[600 Wh battery](#)



[Cover installation](#)



[Engage the set screw \(optional\)](#)

# About this manual

## Safety

### WARNING

#### Tighten hardware properly

Always tighten hardware to the specified torque. Over-tightening hardware could deform or break the hardware or components. Under-tightening hardware could cause hardware or components to become loose. Either situation could damage the bicycle and result in injury to the rider.

### WARNING

#### Re-apply threadlocker

All reused-fasteners with a pre-applied threadlocker must be cleaned with isopropyl alcohol and have new threadlocker applied before re-assembly. If a threadlocker is not applied, the fasteners may loosen, which could damage the bicycle and result in injury to the rider.

## Scope

This manual contains parts diagrams, specifications (such as grease and torque values), instructions and helpful tips. It does not contain instructions for all components (such as brake callipers). Refer to the original manufacturer for more information.

## Additional resources

Trek resources on [trekbikes.com/manuals](https://trekbikes.com/manuals)

- The service manual for the bike
- Trek Bicycle Owner's Manual
- The Quick Start Guide for the Bosch e-system used on this bicycle
- The Bosch E-bike Comprehensive Owner's Manual

Trek's YouTube channel: [youtube.com/trekbikes](https://youtube.com/trekbikes)

## Bosch resources

- The Bosch Dealer manual found on the Bosch Dealer Portal
- The Bosch website: [bosch-ebike.com](https://bosch-ebike.com)

## Legend




 Apply grease



Do not apply grease



 Apply threadlocker

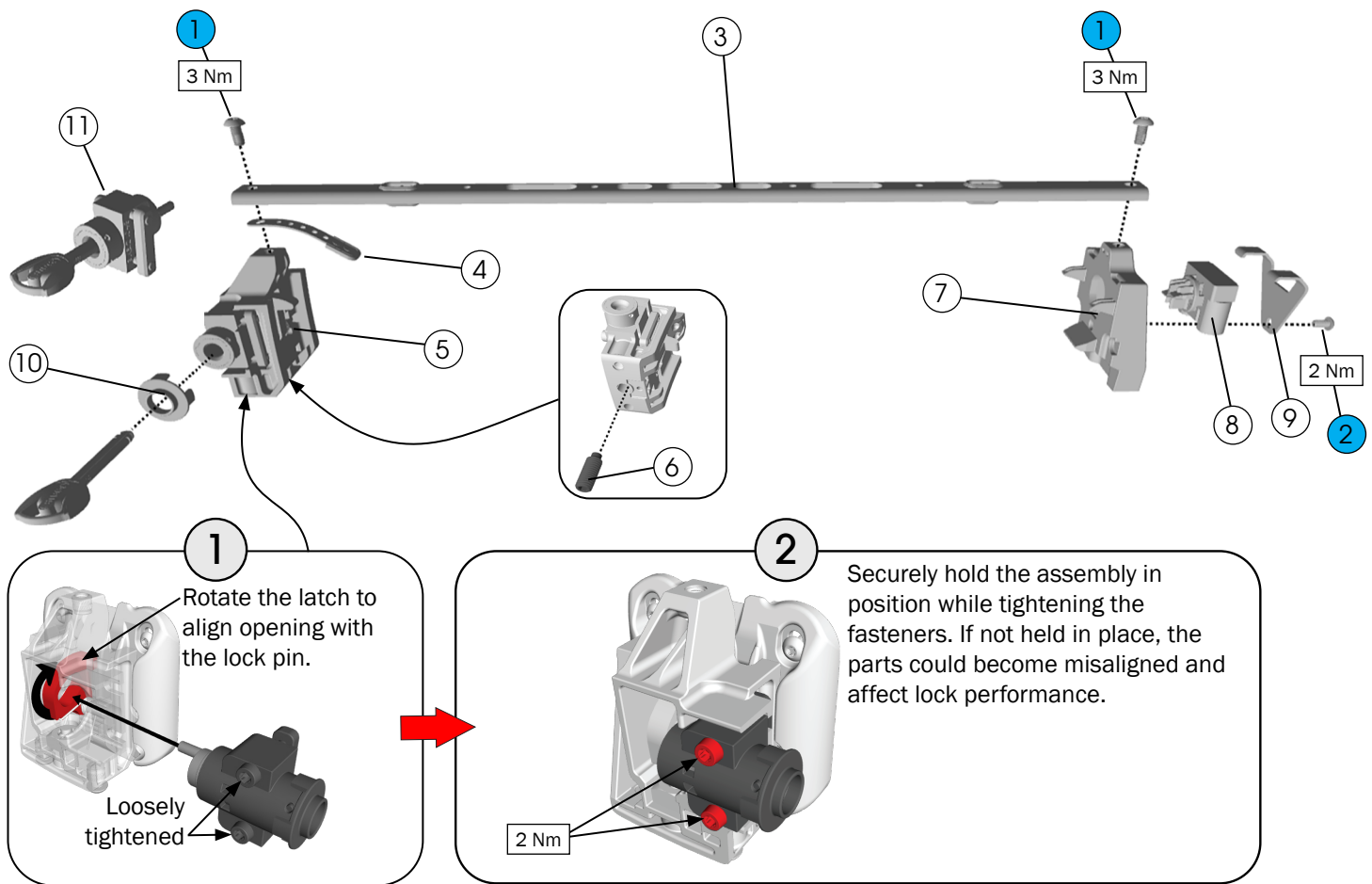


Torque

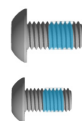


Zip tie

# Docking system and lock assembly



- ① Fasteners (M5 x 10 mm)
- ② Fastener (M4 x 8 mm) - W5263894
- ③ Alignment bracket - W5322239
- ④ Leaf spring - W5318999
- ⑤ Upper docking tower - W5322242
- ⑥ Set screw - W5318805
- ⑦ Lower docking tower - W5318792
- ⑧ Battery adapter - \*EB12.100.015
- ⑨ Connector clamp - W5322241
- ⑩ Lock cap - W5318796



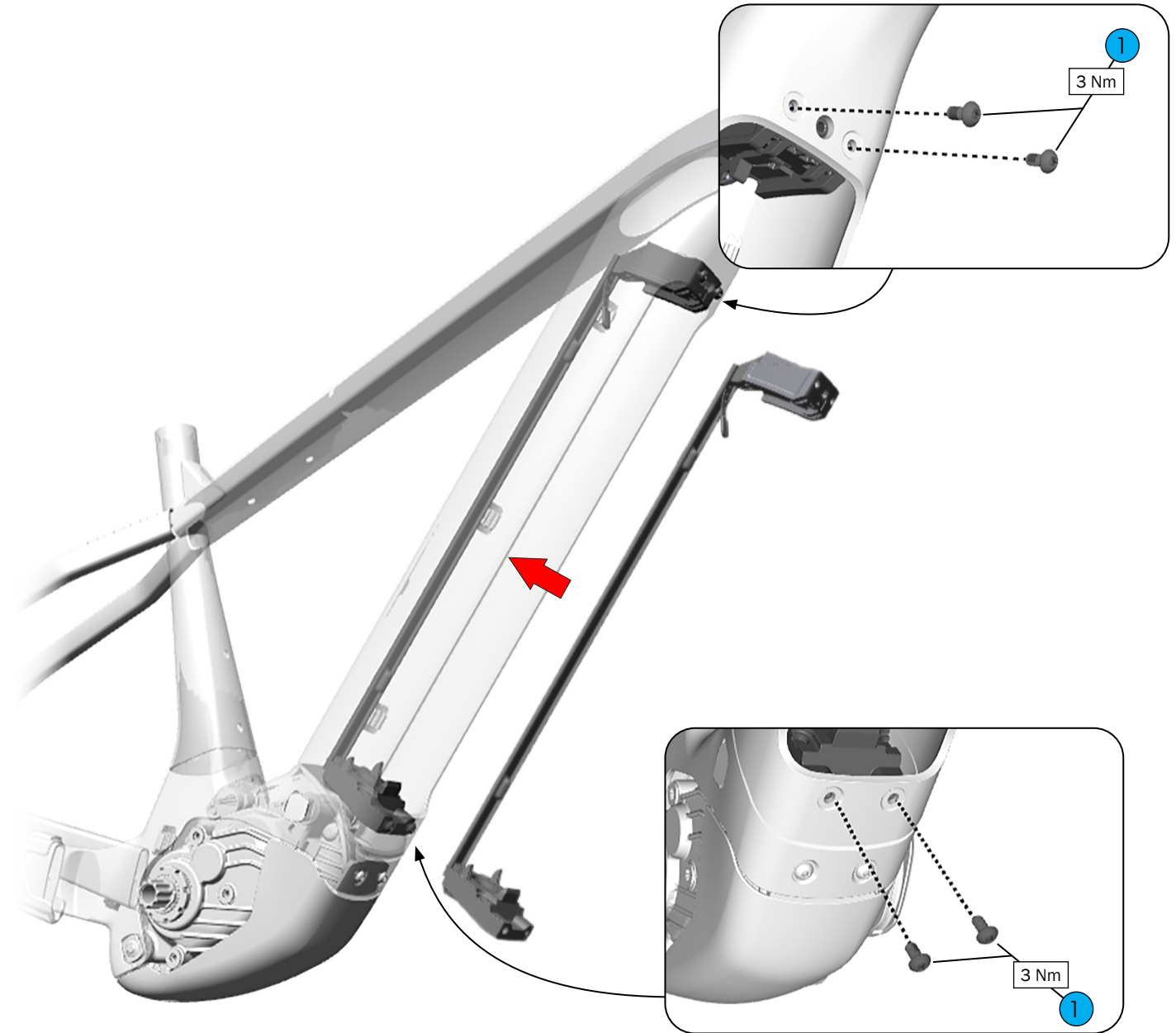
⑪ ABUS lock

- Keyed - W5329845
- Hex - W5329949

\*Bosch part number

# Docking system installation

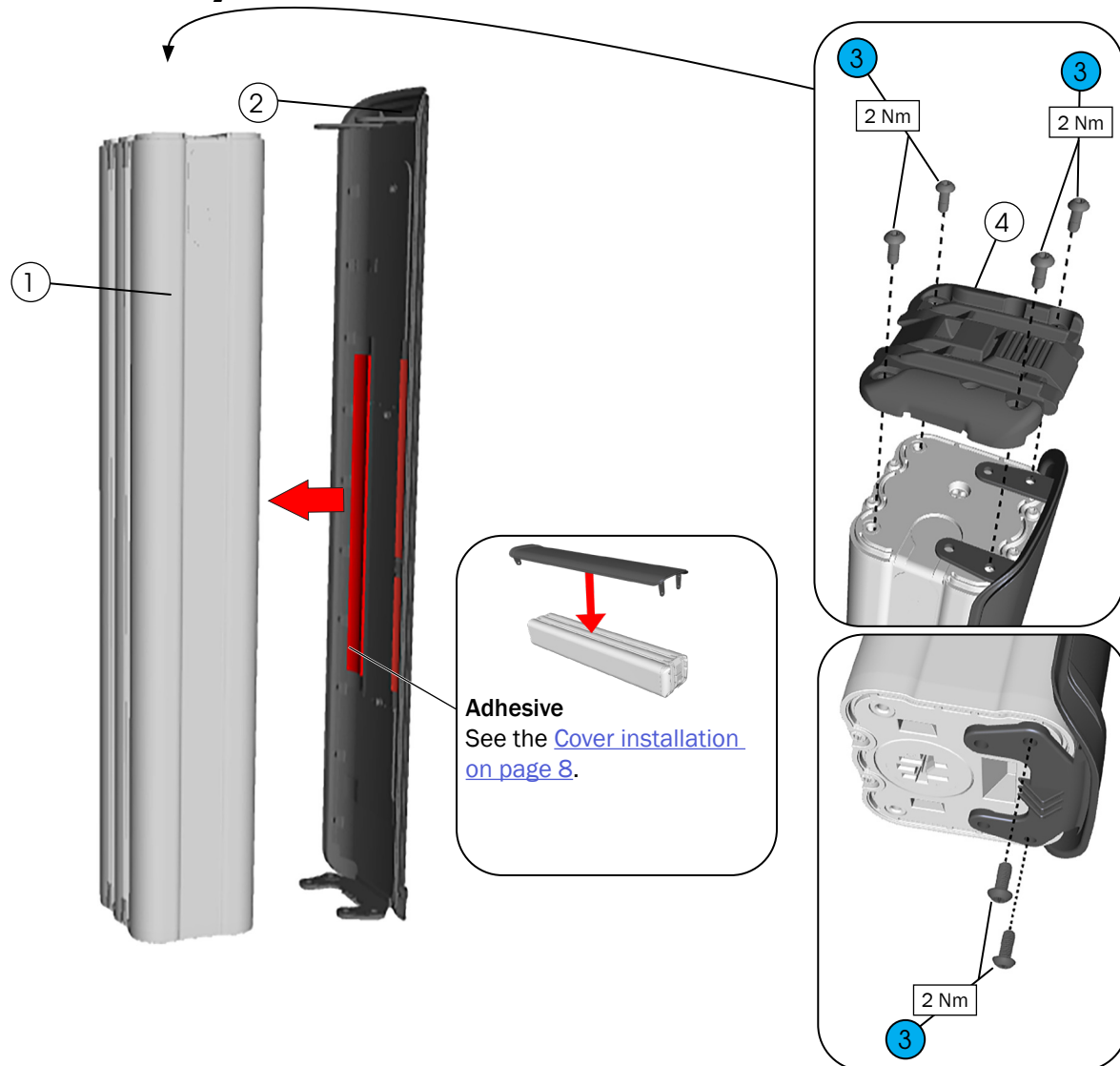
**NOTE:** For size small frames, the motor may need to be lowered to create space to insert the battery dock.



**1** Fasteners (M5 x 10 mm)



# 800 Wh battery



① Battery, 800 Wh - \*EB12.100.051

② Cover - W5318794

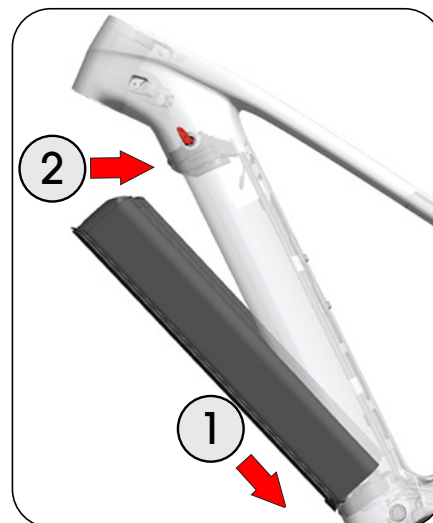
③ Fasteners (M4 x 10 mm) - 5317308



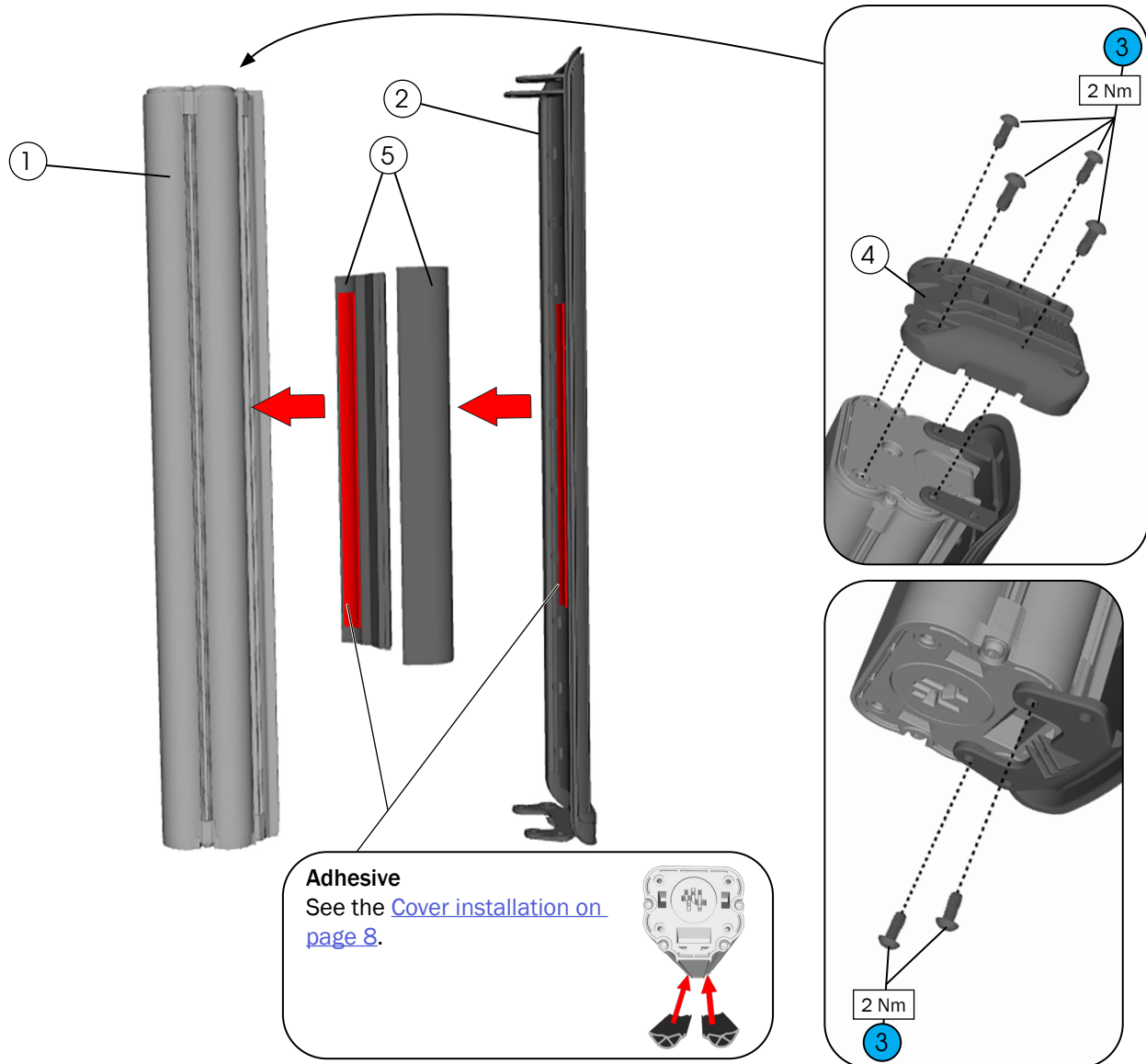
④ Upper end cap - W5322238

\*Bosch part number

## Install the battery



# 600 Wh battery



① Battery, 600 Wh - \*EB12.100.04V

② Cover - W5318794

③ Fasteners (M4 x 10 mm) - 5317308

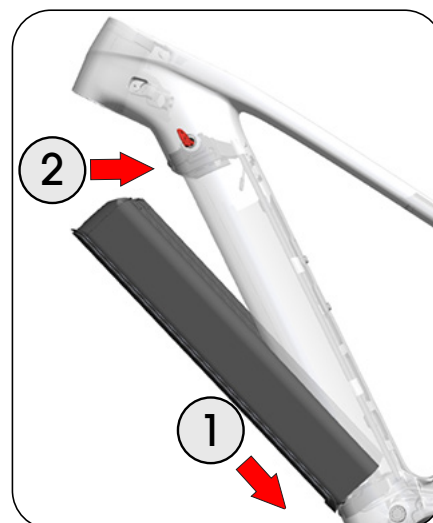


④ Upper end cap - W5322238

⑤ Spacers - W5330318

\*Bosch part number

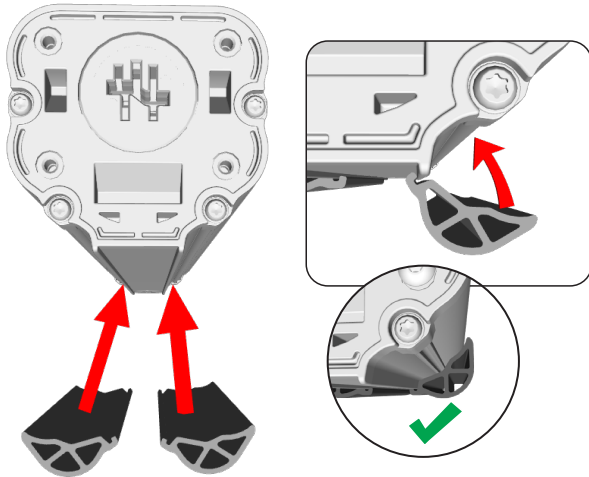
## Install the battery



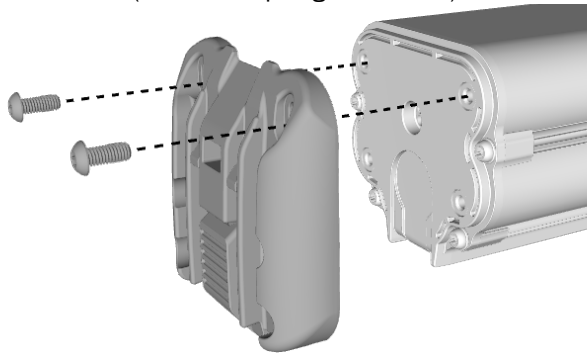
## Cover installation

1. (600 Wh battery only) Remove the adhesive liner from the spacers and attach the spacers to the battery.

**IMPORTANT:** Use isopropyl alcohol to clean the battery surface before attaching the spacers.

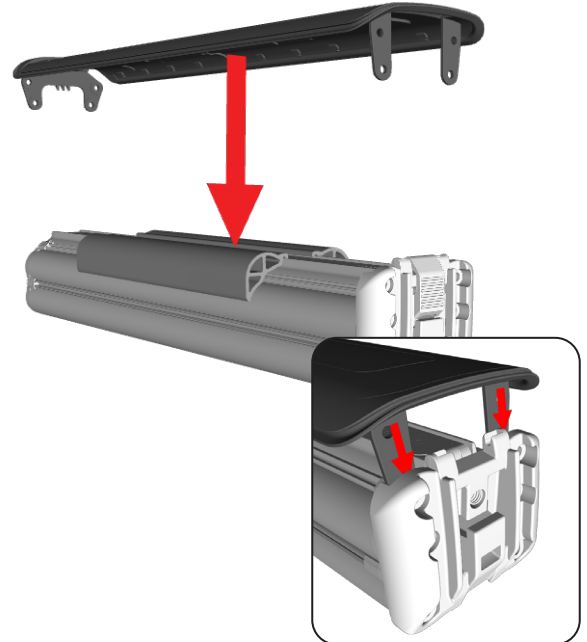


2. Loosely attach the upper end cap to the battery using two fasteners (this will help align the cover).



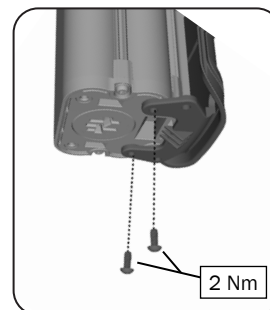
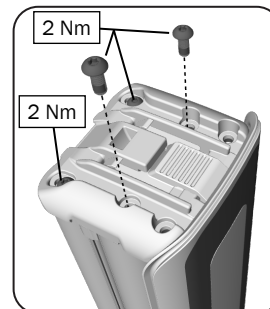
3. Remove the adhesive liner and attach the cover to the battery.

**IMPORTANT:** Use isopropyl alcohol to clean the mating surfaces on the spacers or battery before attaching the cover.

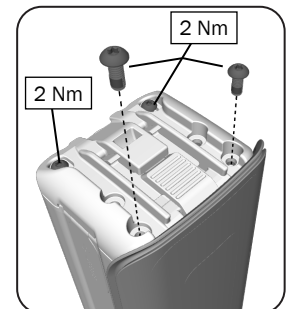


4. Install the four remaining fasteners. Then fully tighten the two upper fasteners that were already loosely installed.

### 600 Wh battery

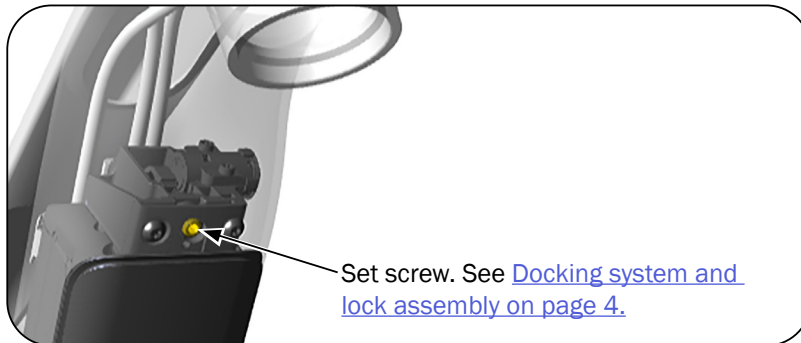


### 800 Wh battery



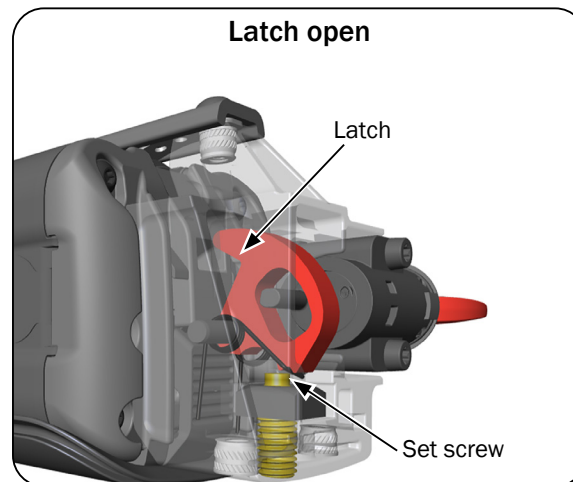
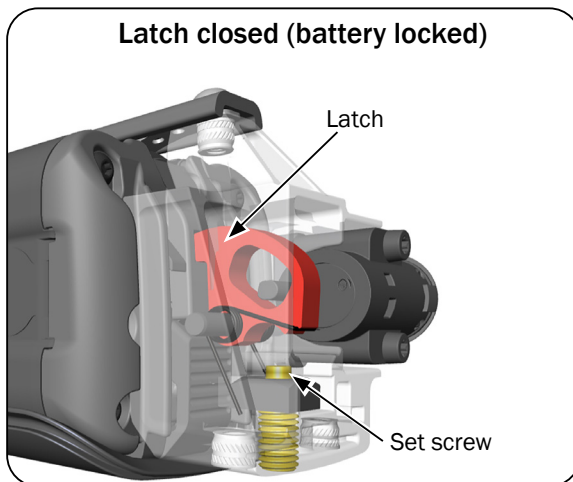
## Engage the set screw (optional)

You can engage the set screw to secure the battery latch in the locked position and provide further battery security. In this position, the battery is tightly secured to the frame and cannot be removed with the key.



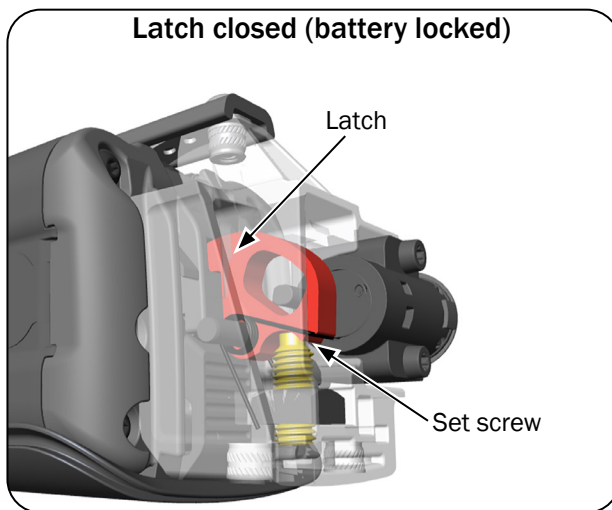
### Set screw in default position

The latch is free to rotate forwards to release the battery when the key is turned.

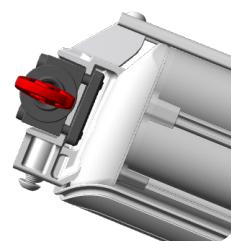


### Set screw engaged

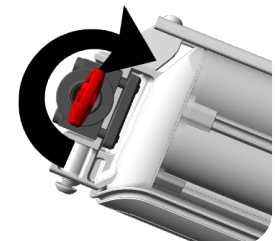
To engage the set screw, tighten it to 1 Nm. The set screw prevents the latch from rotating forwards. The battery cannot be released.



Locked



Unlocked



**IMPORTANT:** Before installing or removing the battery, the set screw must be loosened enough so the latch can open (see the default position above). Do not force the key. Forcing the key with the set screw engaged may damage the lock or the key.