

HEADSET DIMENSIONS
 Top: 1 1/2 inch semi integrated / ICR
 Bottom: 1 1/2 inch semi integrated / ICR
 HEADSET CUP: see BOM
 HT LENGTHS for Cup:
 S - 103 / M - 103 / L - 115 / XL - 130

SEAT POST DIAMETER
 31,6MM

SEAT CLAMP DIAMETER
 34,9MM

BRAKEMOUNT
 Postmount 180MM

Motor
 BOSCH BDU38 wide

BATTERY
 BOSCH POWERTUBE 800Wh

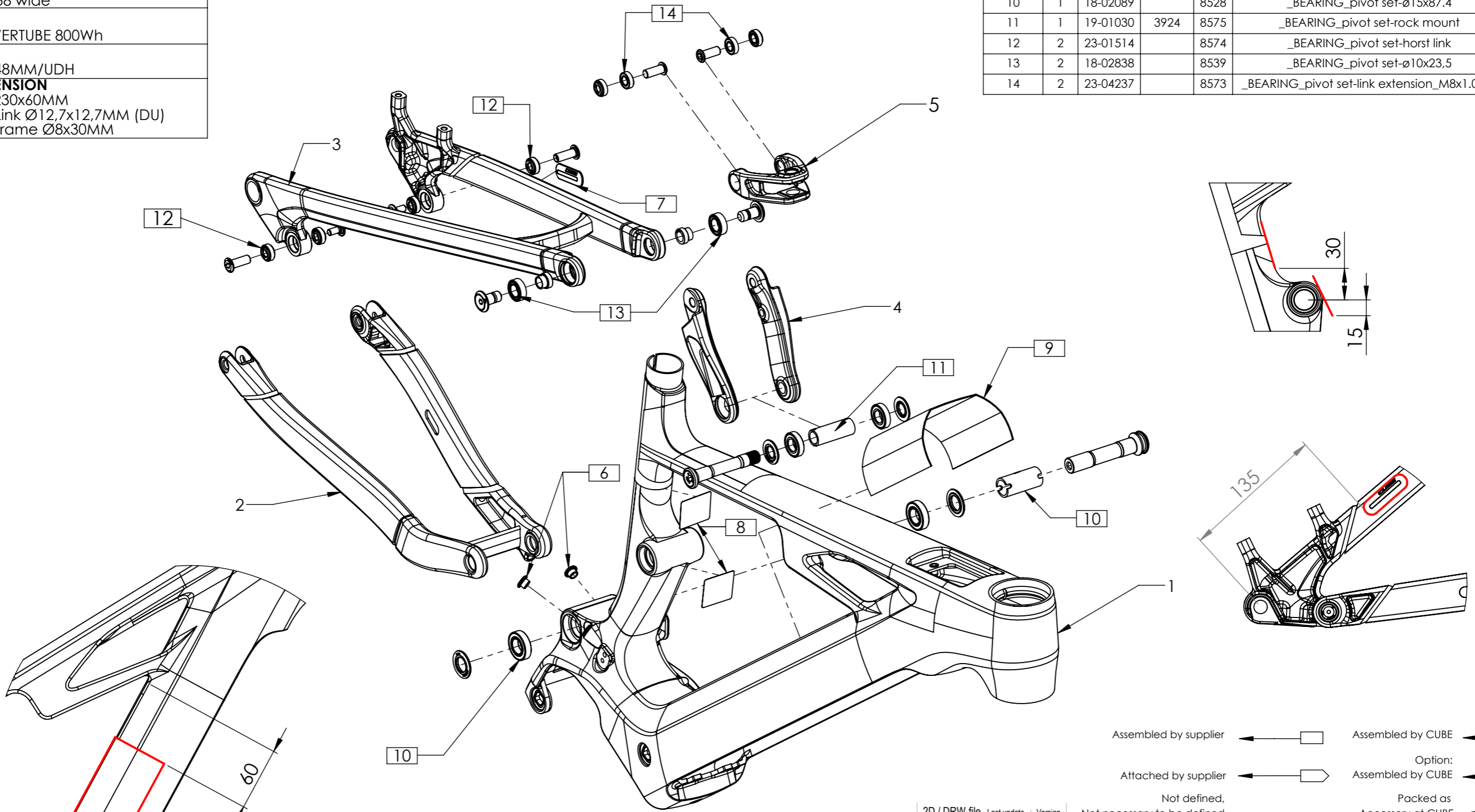
DROPOUT
 X12/Boost 148MM/UDH

SHOCK DIMENSION
 Length: 230x60MM
 Hardware: Link Ø12,7x12,7MM (DU)
 Frame Ø8x30MM

25_HY-38P8H-FSH-170-29x27-CA

(Assembled by frame supplier)

POS-No.	QTY	FILE-No.	ITEM No.	ACS No.	DESCRIPTION	NOTES
1	1	23-00292			_FT_25_HY-38P8H-FSH-170-29x27-CA	
2	1	23-00318			_CS_25_HY-38P8H-FSH-170-29x27-CA	
3	1	23-00309			_SS_25_HY-38P8H-FSH-170-29x27-CA	
4	1	23-00299			_LINK_25_HY-38P8H-FSH-170-29x27-CA	
5	1	23-00301			link-extension_25_HY-38P8H-FSH-170-29x27-CA	
Assembled by frame supplier						
6	2	21-10065	3740		CR_PLUG-6,5Ø_8,7Ø	BONDED
7	1	21-09419	3670		PROTECTION_mtb-ss-l	
8	2	18-02163	34383		PROTECTION_ht-cr	
9	1	24-03235	4574		25_PROTECTION_dt_SHOCK ASSY	
10	1	18-02089		8528	_BEARING_pivot set-Ø15x87.4	18Nm
11	1	19-01030	3924	8575	_BEARING_pivot set-rock mount	18Nm
12	2	23-01514		8574	_BEARING_pivot set-horst link	8Nm
13	2	18-02838		8539	_BEARING_pivot set-Ø10x23,5	14Nm
14	2	23-04237		8573	_BEARING_pivot set-link extension_M8x1.0x22	8Nm



- Assembled by supplier ← □
- Attached by supplier ← ▤
- Not defined, Not necessary to be defined ← —
- Assembled by CUBE ← ○
- Option: Assembled by CUBE ← ◻
- Packed as Accessory at CUBE ← ⬡

2D / DRW-file Last update Version
 anna.kovalenko 13.08.2024 27

Date	Name	Project	Scale
DRW 18.12.23	AKO	25_HY-38P8H-FSH-170-29x27-CA	1:4
Model 24.01.23			
CUBE		Specification	Size
		BOM_FRS	A3
ZPG GmbH & Co. KG		File	Page
		23-00291	1/3

HINWEIS: Sämtliche Informationen, die in diesem Dokument enthalten sind, sind STRENG VERTRAULICH. Jeder Empfänger dieses Dokuments darf die darin enthaltenen Informationen, direkt oder indirekt, nur mit ausschließlicher schriftlicher Zustimmung der Firma ZPG GmbH & Co. KG an Dritte weitergeben oder offenlegen. Die Firma ZPG GmbH & Co. KG behält sich alle Rechte in Bezug auf Urheberrechtsgesetz, Patent- und Gebrauchsmusterschutz vor. Lizenzrechte werden hierdurch nicht erteilt.

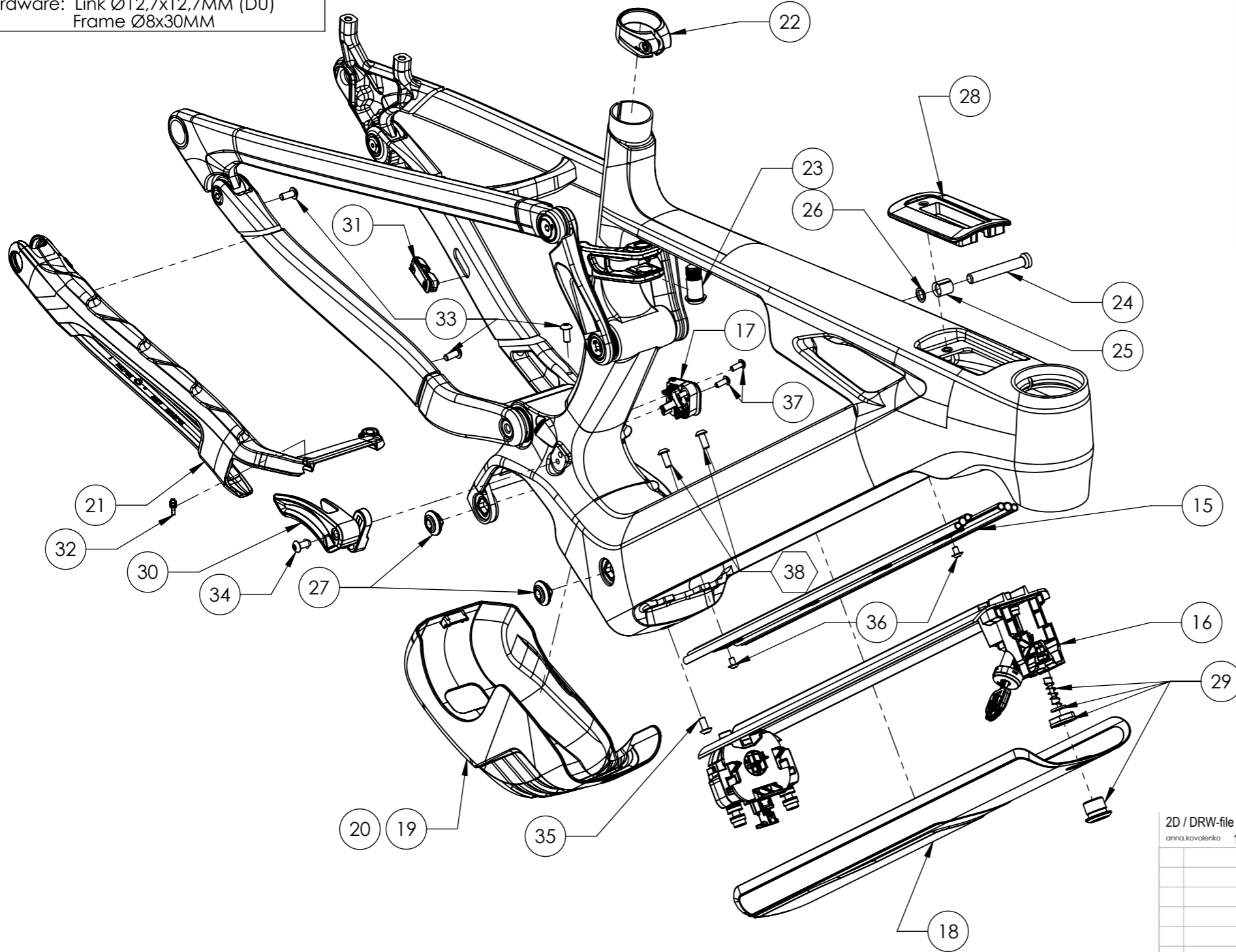
NOTE: The information or material contained in this document is STRICTLY CONFIDENTIAL and any recipient of this document shall not disclose or divulge, directly or indirectly, this document or the information or material contained herein without the written consent of the company ZPG GmbH & Co. KG. All copyrights, trademarks, patents and other rights in connection herewith are expressly reserved to the company ZPG GmbH & Co. KG and no license is created hereby.

NOTE: The information or material contained in this document is STRICTLY CONFIDENTIAL and any recipient of this document shall not disclose or divulge, directly or indirectly, this document or the information or material contained herein without the written consent of the company ZPG GmbH & Co. KG. All copyrights, trademarks, patents and other rights in connection herewith are expressly reserved to the company ZPG GmbH & Co. KG and no license is created hereby.

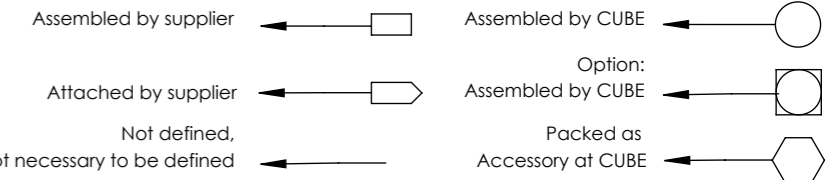
HEADSET DIMENSIONS Top: 1 1/2 inch semi integrated / ICR Bottom: 1 1/2 inch semi integrated / ICR HEADSET CUP: see BOM HT LENGTHS for Cup: S - 103 / M - 103 / L - 115 / XL - 130
SEAT POST DIAMETER 31,6MM
SEAT CLAMP DIAMETER 34,9MM
BRAKEMOUNT Postmount 180MM
Motor BOSCH BDU38 wide
BATTERY BOSCH POWERTUBE 800Wh
DROPOUT X12/Boost 148MM/UDH
SHOCK DIMENSION Length: 230x60MM Hardware: Link Ø12,7x12,7MM (DU) Frame Ø8x30MM

25_HY-38P8H-FSH-170-29x27-CA

(Assembled in Germany)



POS-No.	QTY	FILE-No.	ITEM No.	ACS No.	DESCRIPTION	NOTES
Assembled in Germany						
15	1	22-07741	4295		CR_above-6x_600.800wh	
16	1	23-07224	see BOM		_MOUNT_HY-PT-UNIT-HOR-BES3-800.600wh	
17	1	24-00231	4480		25_MOUNT-charger	
18	1	23-02080	4443		COVER_battery_38P8H-FS	
19	1	23-02079	4442		COVER_motor-25_HY-38P8H-FS-29	size M, L, XL
20	1	23-07562	4445		COVER_motor-25_HY-38P8H-FS-27	size S
21	1	23-07955	4462		PROTECTION_cs-25_HY-38P8H-FSH-170-29x27-CA	
22	1	21-13221	3758		23_SEAT_CLAMP_mtb	
23	1	19-02010	3901		BEARING_screw-shock mount_M12x30,5	14Nm
24	1	23-01512	4449		BEARING_axle-shock mount_Ø8x60	14Nm
25	1	16-02277	3132		BEARING_bush-8,5Ø11,9Øx11,5	
26	1	16-02276	3133		BEARING_cone-8,5Øx11,9Øx1,7	
27	2	22-02169	4171		ENGINE-Nut_BDU_MY24	
28	1	23-02916	4454		ADAPTER-BRC3100	
29	1	23-04983	see BOM		_MOUNT_PUSH-BUTTON-SET	
30	1	21-16519	4203		_CHAIN GUIDE_direct mount_I-shape	
31	1	20-03464	3483		CR_bth_ecth-30x10	
32	1	24-04259	79005		CR_cable tie-200x2,5	
33	3	21-09789	3652		SCREW_ISO 7380-1_M5x12_A2_BLACK_HEX 3	
34	1	21-09789	3652		SCREW_ISO 7380-1_M5x12_A2_BLACK_HEX 3	
35	1	21-08064	3588		SCREW_ISO 7380-1_M5x10_A2_BLACK_HEX 3	
36	2	20-06542	3121		SCREW_ISO 7380-2_M4x6_8.8_HEX 2.5	
37	2	23-05778	4375		SCREW_ISO 7380-1_M4x10_8.8_ZINC BLACK TUFLOK_HEX.2.5	
Packed as accessory in Germany						
38	2	20-06354	60041		SCREW_ISO 7380-1_M5x12_10.9_BLACK_HEX 3	



2D / DRW-file	Last update	Version
anna.kovalenko	13.08.2024	27

	Date	Name	Project	Scale
	DRW	18.12.23	AKO	1:4
	Model	24.01.23	25_HY-38P8H-FSH-170-29x27-CA	
			Specification	Size
			BOM_GER	A3
			File	Page
			23-00291	2/3
ZPG GmbH & Co. KG				

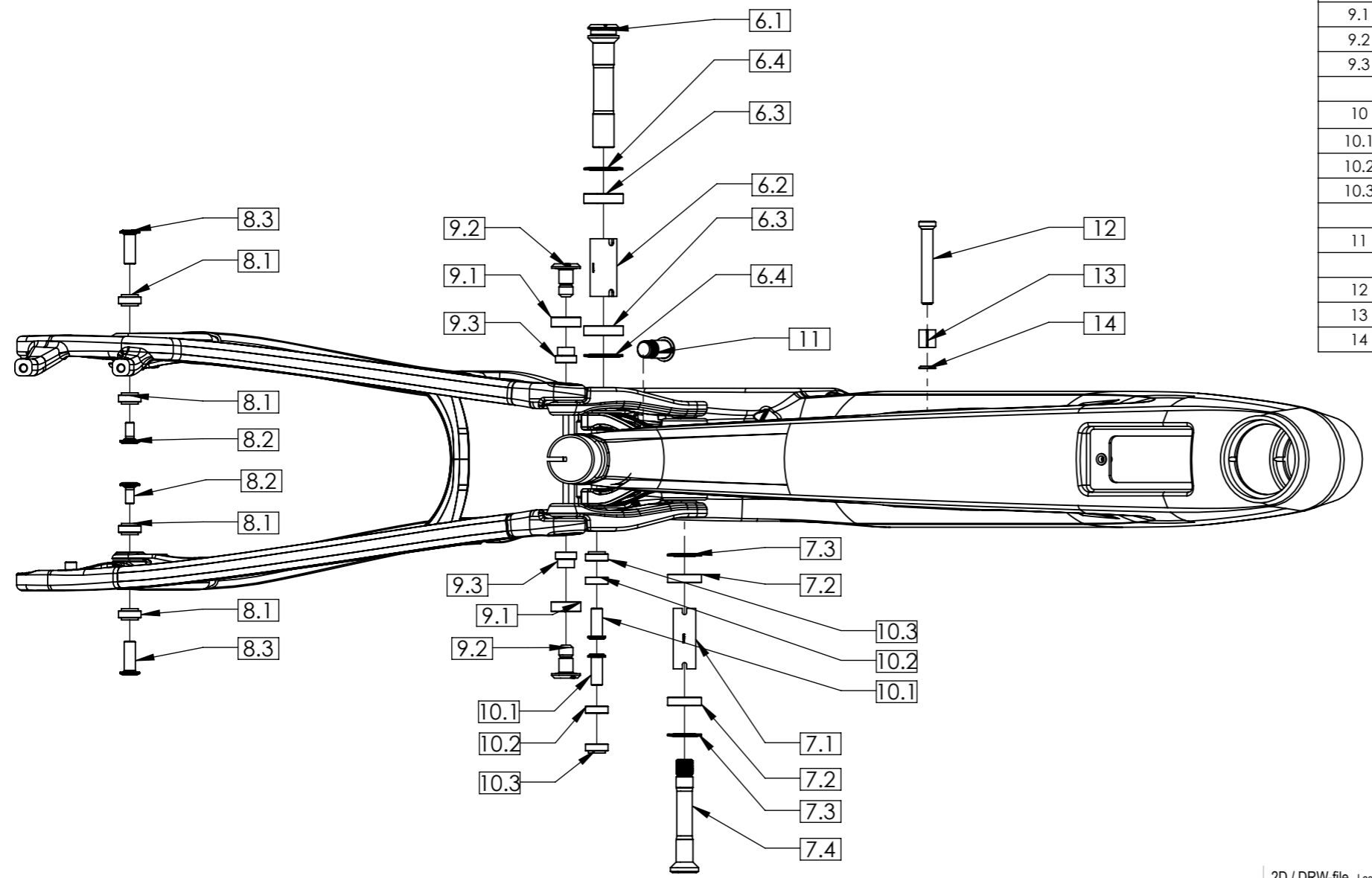
HINWEIS: Sämtliche Informationen, die in diesem Dokument enthalten sind, sind STRENG VERTRAULICH. Jeder Empfänger dieses Dokuments darf die darin enthaltenen Informationen, direkt oder indirekt, nur mit ausschließlicher schriftlicher Zustimmung der Firma ZPG GmbH & Co. KG an Dritte weitergeben oder offenlegen. Die Firma ZPG GmbH & Co. KG behält sich alle Rechte in Bezug auf Urheberrechtsgesetz, Patent- und Gebrauchsmusterschutz vor. Lizenzrechte werden hierdurch nicht erteilt.

NOTE: The information or material contained in this document is STRICTLY CONFIDENTIAL and any recipient of this document shall not disclose or divulge, directly or indirectly, this document or the information or material contained herein without the written consent of the company ZPG GmbH & Co. KG. All copyrights, trademarks, patents and other rights in connection herewith are expressly reserved to the company ZPG GmbH & Co. KG and no license is created hereby.

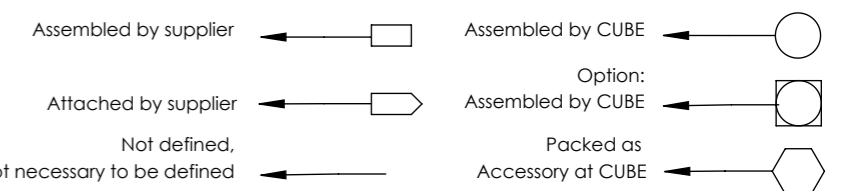
HEADSET DIMENSIONS Top: 1 1/2 inch semi integrated / ICR Bottom: 1 1/2 inch semi integrated / ICR HEADSET CUP: see BOM HT LENGTHS for Cup: S - 103 / M - 103 / L - 115 / XL - 130
SEAT POST DIAMETER 31,6MM
SEAT CLAMP DIAMETER 34,9MM
BRAKEMOUNT Postmount 180MM
Motor BOSCH BDU38 wide
BATTERY BOSCH POWERTUBE 800Wh
DROPOUT X12/Boost 148MM/UDH
SHOCK DIMENSION Length: 230x65MM Hardware: Link Ø12,7x12,7MM (DU) Frame Ø8x30MM

25_HY-38P8H-FSH-170-29x27-CA

Bearing Sets



POS-No.	QTY	FILE-No.	ITEM No.	ACS No.	DESCRIPTION	NOTES
Main Pivot Set						
6	1	18-02089		8528	_BEARING_pivot set-ø15x87,4	18Nm
6.1	1	18-02093	3177		BEARING_axle-rock mount_ø15x87,4	
6.2	1	17-03785	3176		BEARING_bush-rock mount_ø15/ø19x41	
6.3	2	16-04529	3178		BEARING_ball be-ø28/ø15/7	
6.4	2	17-03721	3179		BEARING_washer_ø15.05/ø27.4x2	
Rock Mount Set						
7	1	19-01030	3924	8575	_BEARING_pivot set-rock mount	18Nm
7.1	1	19-00898	3909		BEARING_bush-rock mount_ø16/ø12/43	
7.2	2	19-00888	3911		BEARING_ball be_ø24/ø12/6	
7.3	2	19-00892	3910		BEARING_washer_ø12/ø24/2	
7.4	1	16-04773	3908		BEARING_axle-rock-mount_M12x80,5	
Horst Link Set						
8	2	23-01514		8574	_BEARING_pivot set-horst link	8Nm
8.1	2	21-13402	3765		BEARING_ball be-ø8/ø16/5+2x1,5washer	
8.2	1	16-01684	3181		BEARING_screw-M6x15	
8.3	1	18-02118	3182		BEARING_axle-8øx22	
Seat Stay to Link						
9	2	18-02838		8539	_BEARING_pivot set-ø10x23,5	14Nm
9.1	1	16-04517	3173		BEARING_ball be-ø21/ø12/7 (63801)	
9.2	1	18-02841	3174		BEARING_screw-shock mount_M10x23,5	
9.3	1	16-04520	3175		BEARING_bush-shock mount_ø15/ø12/ø10/11	
Link to Extension						
10	2	23-04237		8573	_BEARING_pivot set-link extension_M8x1.0x22	8Nm
10.1	1	23-04236	4455		BEARING_axle-M8x1.0x22mm	
10.2	1	16-01682	3294		BEARING_ball be-8øx16øx5	
10.3	1	21-10148	3681		BEARING_ball be-ø8/ø16/5+1,5washer	
Extension to Shock Set						
11	1	19-02010	3901		BEARING_screw-shock mount_M12x30,5	14Nm
Shock Mount Set						
12	1	23-01512	4449		BEARING_axle-shock mount_ø8x60	14Nm
13	1	16-02277	3132		BEARING_bush-8,5ø11,9øx11,5	
14	1	16-02276	3133		BEARING_cone-8,5øx11,9øx1,7	



2D / DRW-file Last update Version
anna.kovalenko 13.08.2024 27

	Date	Name	Project	Scale
DRW	18.12.23	AKO	25_HY-38P8H-FSH-170-29x27-CA	1:4
Model	24.01.23			
Specification				Size
Bearing Sets				A3
File				Page
23-00291				3/3



ZPG GmbH & Co. KG

HINWEIS: Sämtliche Informationen, die in diesem Dokument enthalten sind, sind STRENG VERTRAULICH. Jeder Empfänger dieses Dokuments darf die darin enthaltenen Informationen, direkt oder indirekt, nur mit ausschließlicher schriftlicher Zustimmung der Firma ZPG GmbH & Co. KG an Dritte weitergeben oder übertragen. Die Firma ZPG GmbH & Co. KG behält sich alle Rechte in Bezug auf Urheberrechtsgesetz, Patent- und Gebrauchsmusterschutz vor. Lizenzrechte werden hierdurch nicht erteilt.