

English

SERVICE PART GUIDE

TURBO LEVO 4



INDEX

1. COMPATABILITY SPECIFICATIONS	2
2. WEIGHT LIMITS	2
3. COMPONENTS	3
4. TORQUE SPECIFICATIONS	5
5. REAR TRIANGLE	7
5.1. Bearings and Spacers	7
5.2. Suspension Bearing And Spacer Specifications	8
5.3. Bolts, Axle, Washers, and Flip Chips	9
5.4. Rear Triangle Assembly - Bearings	11
5.5. Rear Triangle Assembly - Chainstay	12
5.6. Rear Triangle Assembly - Main Pivot	13
5.7. Rear Triangle Assembly - Link at Seat Tube & Link at Seatstay	14
5.8. Rear Triangle Assembly - Seatstay at Horst Pivot	15
5.9. Rear Triangle Assembly - Rear Shock	16
5.10. Rear Triangle Assembly - Rear Shock Extension	17
5.11. Rear Triangle Assembly - Mudflap	18
5.12. Battery Receiver	19
5.13. Battery Receiver - Assembly	20
6. BATTERY AND MOTOR	22
6.1. Chargeport Door Assembly	22
6.2. Motor Assembly	23
6.3. Motor Assembly - Motor Bolts	24
6.4. Rock Guard	26
6.5. Battery Cover Assembly	27
7. DRIVETRAIN	28
7.1. Chainguide Assembly	28
7.2. Spider & Chainwheel	29
8. HEADSET STACK	30
8.1. Headset	30
8.2. Fork Assembly	31
8.3. Swat bag Mount	32
9. MASTERMIND T3	33
9.1. Display Installation	33
9.2. Top Tube Cable Wrap	34
9.3. ICR Ports	35
10. RANGE EXTENDER & BOTTLE CAGE	36
11. WIRING DIAGRAMS	37
11.1. Base Model	37
11.2. Base Model - with Light	38
11.3. AXS Equipped	39
11.4. AXS Equipped - with Light	40
12. SYSTEM OVERVIEW	41
12.1. BASE MODEL	41
12.2. AXS EQUIPPED	42
12.3. BASE MODEL WITH LIGHT	43
12.4. AXS Equipped - with Light	44
13. WHEELS AND HUBS	45
13.1. Levo Alloy / LEVO COMP ALLOY / LEVO COMP CARBON	45
13.2. Levo EXPERT CARBON	46
13.3. Levo PRO CARBON	47
13.4. Levo S-Works CARBON	48
13.5. Levo S-Works LTD CARBON	49
14. ADDITIONAL SERVICE PARTS	50
14.1. Battery Doors By Model / Color	50

SYMBOLS LEGEND

-  CAUTION FOR POTENTIAL HAZARDOUS SITUATION
-  IMPORTANT INFORMATION
-  TECHNICAL TIP
-  USE HIGH-QUALITY GREASE
-  USE HIGH-QUALITY CARBON ASSEMBLY PASTE
-  USE HIGH-QUALITY BEARING RETAINING COMPOUND
-  USE EVERSEAL 183 THREADLOCKER
-  USE BLUE THREADLOCKER
-  USE ANTI-SEIZE COMPOUND
-  USE DIELECTRIC GREASE ON ELECTRIC CONNECTORS
-  APPLY TORQUE USING TORQUE WRENCH
-  DO NOT TORQUE BOLT
-  LEFT HAND THREADED BOLT
-  ASSEMBLY DIRECTION
-  ASSEMBLY PATH
-  ASSEMBLY ORDER
-  TORQUE ORDER

[S225000009](#) SERVICE PART NUMBER - HYPERLINK TO B2B

COMMENTS OR FEEDBACK? Click [HERE](#) to share feedback or errors relating to this document with the Technical Writing team.

SPECIALIZED BICYCLE COMPONENTS | 15130 Concord Circle, Morgan Hill, CA 95037 (408) 779-6229

0000215278_SPG_R1 08/24

We may occasionally issue updates and addendum to this document. Please periodically check www.specialized.com or contact Rider Care to make sure you have the latest information.

1. COMPATABILITY SPECIFICATIONS

COMPONENT	COMPATIBLE SIZES/SPECS
Min / Max Front Rotor	200 mm / 220 mm with adapter
Min / Max Rear Rotor	200 mm / 220 mm with adapter
Rear Hub Spacing	148 mm
Front Hub Spacing	110 mm
Chainring OE Spec	34T
Min Chainring	32T
Max Chainring	36T
Water Bottle Cage	Zee cage for Range Extender
Seat Collar Diameter	38.6 mm
Wired Front Light	24W / 12V (Y-splitter required)
Swat Bag	S2 / S3 small bag S4 / S5 / S6 large bag
Seatpost Diameter	34.9 mm 30.9 mm (shim required)
Headset Upper Bearing	41.8 mm x 30.5 mm x 7 mm, 45° x 45°
Headset Lower Bearing	52 mm x 40 mm x 7 mm, 45° x 45°
Handlebars	S2 :35 mm 800 width, 30mm rise / S3~S6: 35 mm 800 width, 40mm rise
Stem Steerer Diameter	28.6 mm OD
Max Rear Tire	27.5 x 2.6 in
Rear Wheel Travel	150 mm
Shock Length / Stroke	210 mm / 55 mm
Min/Max Fork Travel	160 mm - 180 mm
Bottle Clearance	24 oz bottle for S1-S6, 26 oz bottle S-3-S6
Steerer Tube Protector	S2 61 mm S3 66 mm S4 81 mm S5 96 mm S6 113 mm
SWAT MTB Tool Bow Tie Anchor and Bolt	S1/S2 105 mm S3/S4 120 mm S5 135 mm S6 150 mm

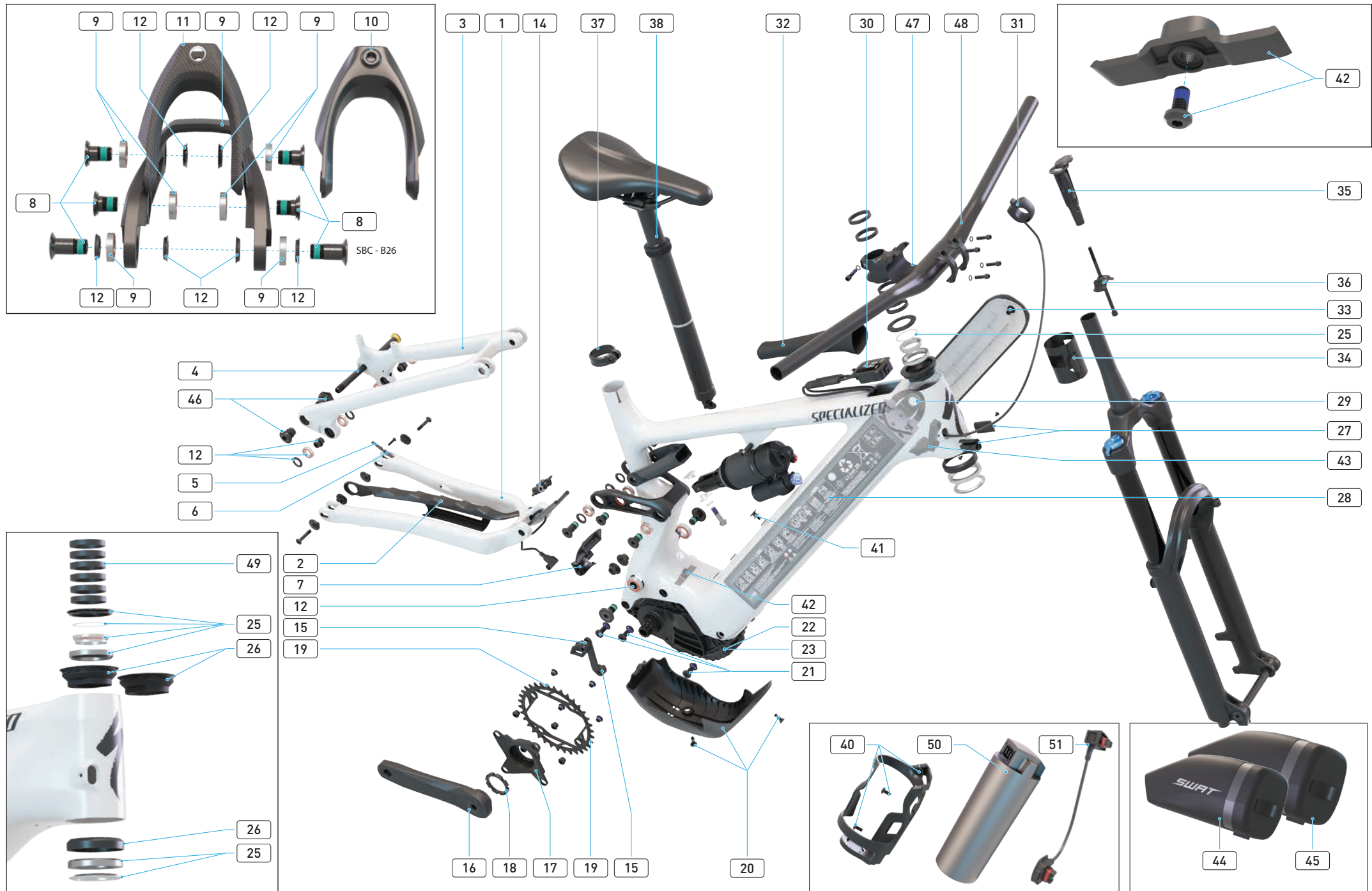
2. WEIGHT LIMITS

MODEL	CARGO WEIGHT LIMIT kg / lb		STRUCTURAL WEIGHT LIMIT kg / lb
	REAR	FRONT	
Levo 4 S-Works LTD Levo 4 S-Works Carbon Levo 4 Pro Carbon	2.3 kg / 5 lbs		125 / 275
Levo 4 Expert Carbon Levo 4 Comp Carbon			125 / 275
Levo 4 Alloy Levo 4 Comp Alloy			136 / 300

CARGO WEIGHT LIMIT: The maximum cargo weight a bicycle has been designed and tested to support structurally.

STRUCTURAL WEIGHT LIMIT: The maximum total weight (rider, and cargo) a bicycle is designed and tested to support structurally.

3. COMPONENTS



	ASSEMBLY	PART	QTY	PART #	ALT PART #	DETAIL		ASSEMBLY	PART	QTY	PART #	ALT PART #	DETAIL
1	Chainstay Carbon	Carbon chainstay	1	S221500016		Page 12	16	Crank Arms - 160 mm Carbon / 155 mm Alloy		2	S241600006	S241600011	Page 29
		Cable Guide Tube	2				17	Spider - 104 Bcd		1	S225100005		
	Chainstay Alloy	Alloy Chainstay	1	S221500015			18	Spider Lock Ring		1	S245100001		
		Cable Guide Tube	2				19	Chain Ring 34T - with Bolts		1	S231400002		
2	Chainstay Protector		1	S226900008		20	Rock Guard kit	Rock Guard	1	S229900026		Page 26	
3	Seatstay Carbon	Carbon seatstay	1	S225000010	S240600003	Page 11	21	Motor Mounting Hardware Kit	Motor Mounting Bolt	6	S240500008		Page 24
		Seatsay Bearing	4				22	Motor - Gen 3		1	S226800019		Page 23
	Seatsay Bearing Step Spacer	2	S225000009	S240600003	23		S-Works Motor - Gen 3		1	S246800025		Page 16	
	Seatsay Bearing Step Spacer	2			24		Float X Genie Rear Shock		1	Model Specific			
4	Rear Thru-Axle		1	S240200001		25	Headset	Top Cap Micro Shim Compression Ring Upper Bearing Lower Bearing Crown Race	1	S242500004		Page 32	
5	Speed Sensor Cable		1	S246800018		Page 12	26	Adjustable Geo Headset Cups	Upper Headset Cup 0°(Default) Upper Headset Cup +/-1° Lower Headset Cup	1	S212500015		Page 36
6	Speed Sensor Grommet & Bolt Kit	Speed sensor grommet	1	S246800015		Page 15	27	ICR Ports Kit	Headtube ICR Ports	2	S246500007		Page 36
		Speed Sensor Bolt	1			28	Main Battery - SBC - B26 SBC - B34		1	98924-5681		Page 27	
7	Chainstay mudguard kit	Mudguard	1	S226900009		Page 18	29	Battery top Bracket	L-Shape Bracket & Bolts	1	S246800005		Page 34
		MudguardBolt	2			30	MasterMind T3		1	S226800023		Page 36	
8	Suspension Pivot Bolt Kit	Main Pivot Bolt Drive Side	1	S240500010	S214200059	Page 9	31	Handlebar Remote		1	S226800017		Page 35
		Main Pivot Bolt Non-Drive Side	1				32	Top Tube Cable Wrap		1	S249900025		Page 27
		Main Pivot Center Spacer	2				33	Battery Cover		1	Model / Color specific		Page 30
		Link at Seat Tube Bolt	2				34	Steerer Tube Protector		1	Frame Size Specific		Page 32
		Link at Extension Bolt	2				35	SWAT Tool		1	53224-1170		Page 32
		Link at Seatstay Bolt	2				36	SWAT Tool Anchor Bolt and Butterfly		1	Frame Size Specific		
		Horst Pivot Bolt	2				37	Seatpost Clamp		1	S214700007		
		Horst Pivot Flip Chips Outer	2				38	Dropper Post		1	Model Specific		
		Horst Pivot Flip Chips Inner	2				39	Seatpost Shim (Not Shown)		1	S174900001		
		Rear Shock Mounting Bolt	1				40	Bottle Cage	Bottle Cage for Range extender	1	S249900016		Page 37
		Rear Shock Mounting Washer	1						Bottle Cage Bolt	2			
		Forward Shock Mounting Bolt	1										
		Forward Shock Mounting Axle	1										
		9	Shock Link				Shock Link - Alloy	1	S224200018	S240600003	Page 14	41	Range Extender Anchor Bolt
Link Bearings	6			42	Motor Cavity Cable Guide	Cable Guide	1	S246500009				Page 19	
10	Shock Extension - Alloy		1	S226300007		Page 16	43	SWAT Mount	Magnetic Mounting Post & Bolts	1	S249900022		
11	Shock Extension - Carbon (S-Works)		1	S226300008			44	SWAT Bag Small: Frame S2-S3		1	S249900024	Frame Size Specific	Page 33
12	Suspension Bearing Kit	Suspension Bearings	10	S240600003	S214200059	Page 7	45	SWAT Bag Large: Frame S4-S6		1	S249900023		
		Main Pivot Bearings	2				46	SRAM UDH Derailleur Hanger		1	S202600002		
		Bearing Spacers	6				47	Stem: 40 mm		1	Model size specific		Page 32
		Horst Pivot Spacers	4				48	Handlebar: 780 mm - 800 mm		1	Frame size specific		
		Horst Pivot Step Spacers	2				49	Headset Spacer 5 mm		6			Page 32
14	Main Pivot Cable Guide	Main Pivot Cable Guide	1	S246500008		Page 12	50	Range Extender Battery - SBC - B28		1	98924-5680		Page 37
		Cable Guide Bolt	1			51	Range Extender Cable - 210 mm		1	98924-5660			
15	Chain Guide		1	S221200007		Page 28							

4. TORQUE SPECIFICATIONS

4 mm 6.2 Nm | 55 in-lbf | 12

5 mm 5 Nm | 44 in-lbf | 20

4 mm 6 Nm | 53 in-lbf | 8

6 mm 20 Nm | 177 in-lbf | 3

6 mm 23 Nm | 204 in-lbf | 4

6 mm 20 Nm | 177 in-lbf | 5

T8 0.5 Nm | 4 in-lbf | 29

6 mm 21 Nm | 186 in-lbf | 2

5 mm 15 Nm | 133 in-lbf | 13

8 mm 50 Nm | 443 in-lbf | 14

2.5 mm 1.3 Nm | 12 in-lbf | 11

5 mm 12 Nm | 106 in-lbf | 6

6 mm 15 Nm | 133 in-lbf | 10

4 mm 1.5 Nm | 13 in-lbf | 22

4 mm 5 Nm | 44 in-lbf | 21

5 mm 5 Nm | 44 in-lbf | 13

6 mm 21 Nm | 186 in-lbf | 1

20 Nm | 177 in-lbf | 15

4 mm 6 Nm | 53 in-lbf | 24

5 mm 8 Nm | 71 in-lbf | 23

2 mm 0.7 Nm | 6 in-lbf | 26

T6 0.7 Nm | 6 in-lbf | 28

25 1.5 Nm | 13 in-lbf | **T10**

9 6 Nm | 54 in-lbf | **4 mm**

19 2.2 Nm | 19 in-lbf | **3 mm**

7 20 Nm | 177 in-lbf | **6 mm**

18 2.2 Nm | 19 in-lbf | **3 mm**

3 20 Nm | 177 in-lbf | **6 mm**

21 5 Nm | 44 in-lbf | **4 mm**

4 23 Nm | 204 in-lbf | **6 mm**

5 20 Nm | 177 in-lbf | **6 mm**

13 15 Nm | 133 in-lbf | **5 mm**

17 3.5 Nm | 30 in-lbf | **5 mm**

16 3.5 Nm | 30 in-lbf | **4 mm**

14 50 Nm | 443 in-lbf | **8 mm**

EVERSEAL 183 **THREADLOCKER**

LH **LH**

#	PART NAME	QUANTITY	SPECIFICATION	TOOL	TORQUE		NOTES	
					Nm	in-lbf		
1	Main Pivot Bolt Drive Side	1	M12 x 23 mm x 1.0 mm P (LH)	6 mm hex	21	186	**	
2	Main Pivot Bolt Non-Drive Side	1	M12 x 23 mm x 1.0 mm P	6 mm hex	21	186	**	
3	Link At Seat Tube Bolt	2	M12 x 17 mm x 1.0 mm P	6 mm hex	20	177	**	
4	Link At Extension Bolt	2	M12 x 14 mm x 1.0 mm P	6 mm hex	23	204	**	
5	Link At Seatstay Bolt	2	M12 x 27 mm x 1.0 mm P	6 mm hex	20	177	**	
6	Horst Pivot Bolt	2	M6 x 32 mm x 1.0 mm P	5 mm hex	12	106	**	
7	Rear Shock Mounting Bolt	1	M8 x 28 mm x 1.25 mm P	6 mm hex	20	177	*	
8	Forward Shock Mounting Bolt	1	M5 x 13 mm x 0.8 mm P	4 mm hex	6	53	*	
9	Forward Shock Mounting Axle	1	8 mm OD x 0.8 mm x 31.2 mm	4 mm hex	-	-		
10	12 mm Rear Thru-Axle	1	Mtn Boost Thru-Axle, Non-Tapered, M12 x 148 mm	6 mm hex	15	133		
11	Speed Sensor Mount Bolt	1	M4 x 18 mm x 0.7 mm P	2.5 mm hex	1.3	12	*	
12	Seat Collar Bolt	1	M6 x 20 mm	4 mm hex	6.2	55		
13	Motor Mount Bolts	6	M8 x 24 mm x 1.25 mm P	5 mm hex	15	133	*	
14	Crank Bolts	2	155 mm Alloy 160 mm Carbon	Consult Component Documentation				
15	Spider Lock Ring	1	M33 x 1 mm x 1.0 mm P	Park Tool BBT-18	20	177		
16	Chain Guide Mount Bolt	1	M8 x 11 mm x 1.0 mm P	4 mm hex	3.5	30	*	
17	Chain Guide Adjustment Nut	1	M8 x 1.0 mm P Nut	5 mm hex	3.5	30		
18	Water Bottle Cage Bolts	2	M5 x 10 mm x 0.8 mm P	3 mm hex	2.2	19		
19	RE Anchor Bolt	1	M5 x 7 mm x 0.8 mm P Custom Bolt	3 mm hex	2.2	19	**	
20	Battery Cover Bolt	1	M8 x 14 mm x 1.0 mm P	5 mm hex	5	44		
21	Rock Guard Bolts	2	M6 x 13 mm x 1.0 mm P	4 mm hex	5	44		
22	Mudflap Bolts	2	M4 x 10 mm x 0.75 mm P	4 mm hex	1.5	13		
23	Stem at Steerer Tube Bolts (No-Gap Stem)	2	M6 x 20 mm x 1.0 mm P	5 mm hex	8	71	*	
24	Stem At Handlebar Bolts(No-Gap Stem)	4	M5 x 18 mm x 0.8 mm P	4 mm hex	6	53	*	
25	SWAT Bag Mounting Bracket Bolts	2	M4 x 10 mm x 0.7 mm P	T10 Torx	1.5	13		
26	Head Tube ICR Port Bolt	2	M3 x 6 mm x 0.5 mm P	2 mm hex	0.7	6		
27	Derailleur Hanger	1	Sram Universal Derailleur Hanger	8 mm hex	25	221		
28	Display Front Spring Bolt	1	M3 x 7 mm x 0.5 mm P	T6 Torx	0.2	1.8		
29	Chargeport Door Screws	4	M2.2 x 10 mm	T8 Torx	3	27		

* Bolts treated with blue threadlocker - apply grease to non-threaded surfaces only. DO NOT apply grease to threads.

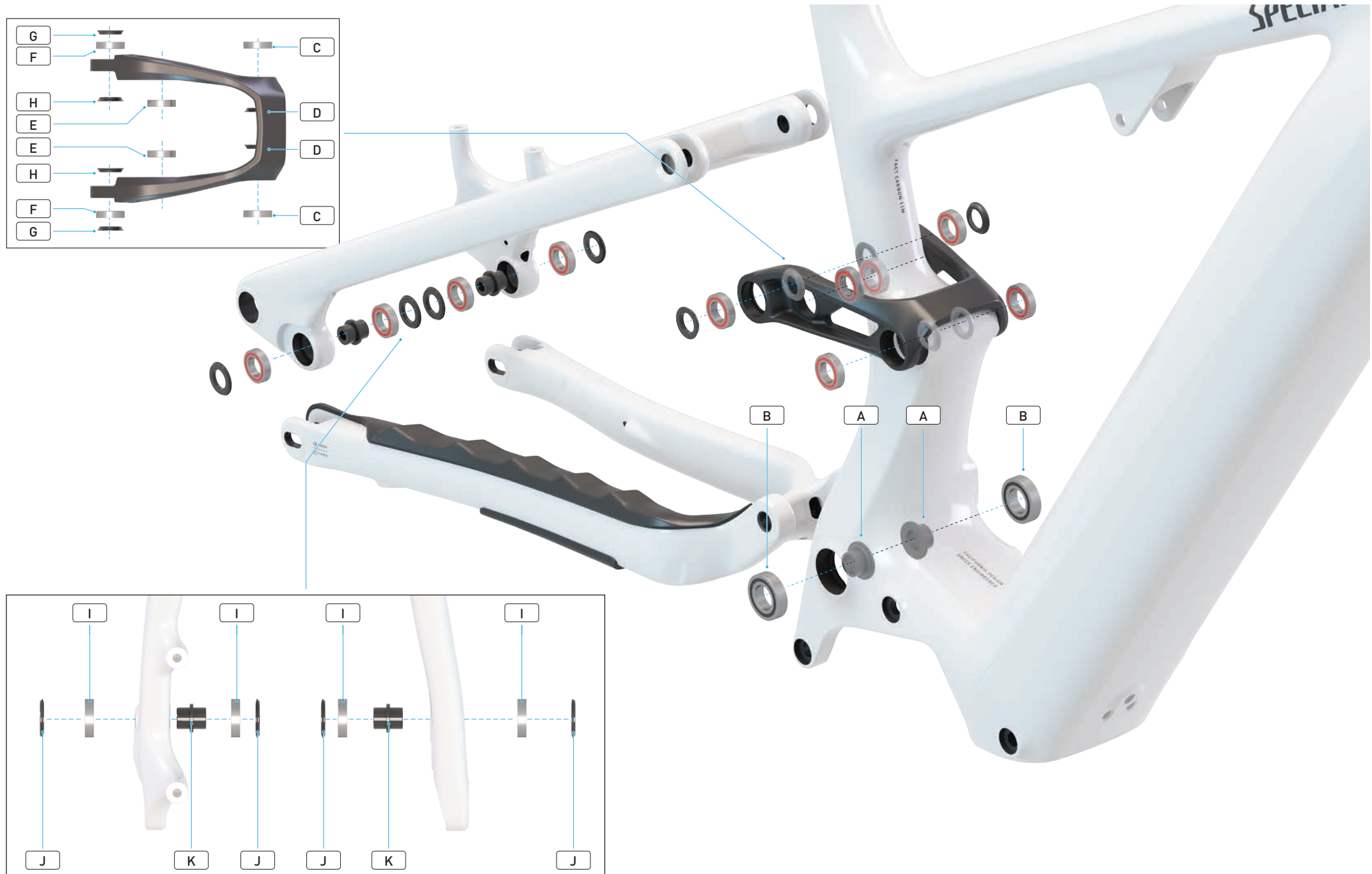
** Bolts treated with Everseal 183 threadlocker - apply grease to all contact surfaces.














CAUTION: Before reinstalling the main pivot bolts, inspect the bolt threads for damage and reapply Everseal 183 threadlocker before reassembly. Should there be visible wear on the threads, replace the bolts.

5. REAR TRIANGLE

5.1. BEARINGS AND SPACERS

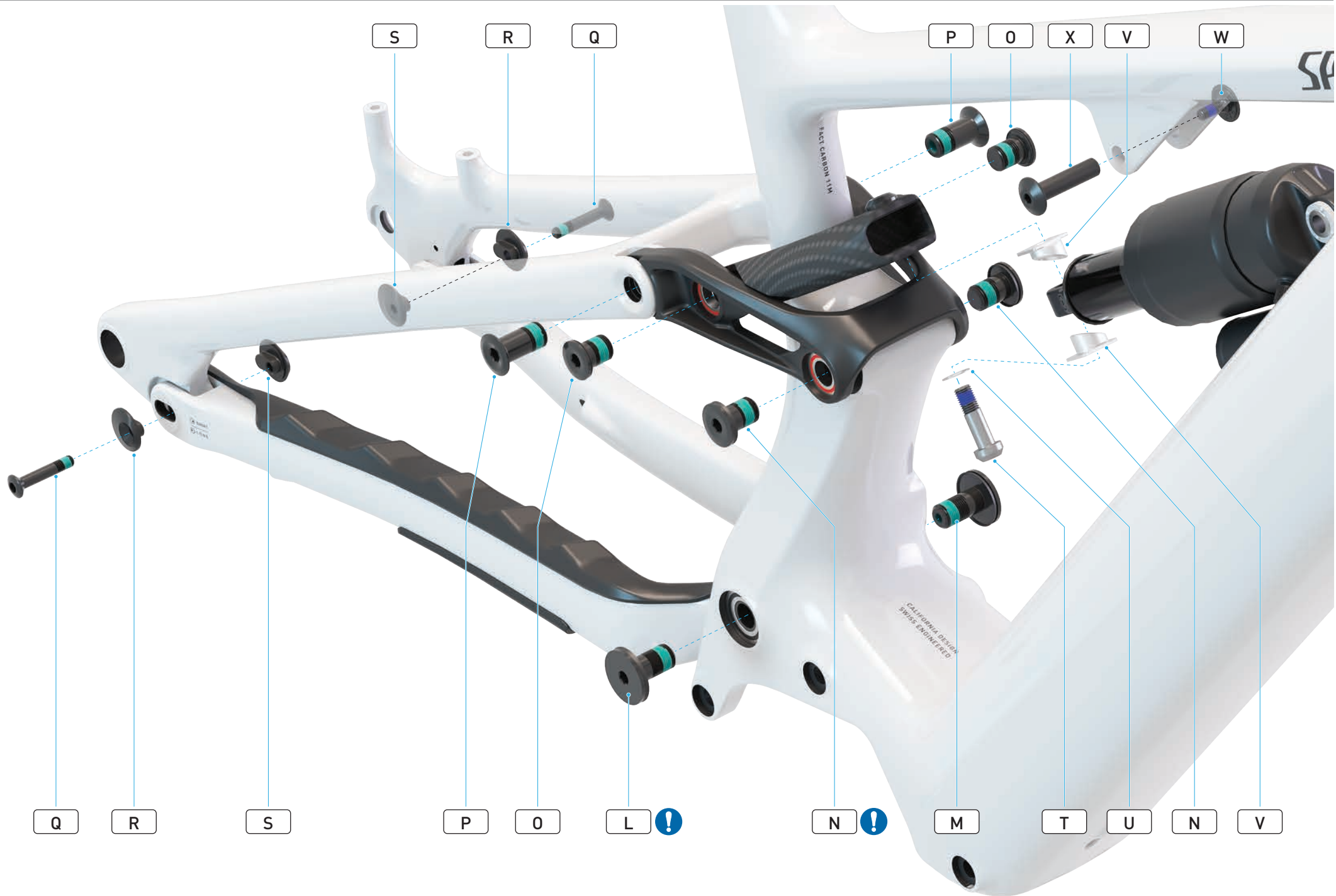










5.2. SUSPENSION BEARING AND SPACER SPECIFICATIONS


	LOCATION	QTY	BEARING	DIMENSION (MM)	NOTES
A	Main Pivot Center Spacer	2	-	12 mm ID x 23 mm OD x 9.6 mm W	
B	Main Pivot Bearing	2	6902-2RS	15 mm ID x 28 mm OD x 7 mm W	
C	Link At Seat Tube Bearing	2	6801-2RS	12 mm ID x 21 mm OD x 5 mm W	
D	Link At Seat Tube Spacer	2	-	12.1 mm ID x 19.5 mm OD x 3 mm W	
E	Link At Extension Bearing	2	6801-2RS	12 mm ID x 21 mm OD x 5 mm W	
F	Link At Seatstay Bearing	2	6801-2RS	12 mm ID x 21 mm OD x 5 mm W	
G	Link At Seatstay Spacer (Outer)	2	-	12.1 mm ID x 19.5 mm OD x 3 mm W	
H	Link At Seatstay Spacer (Inner)	2	-	12.1 mm ID x 19.5 mm OD x 3 mm W	
I	Horst Pivot Bearing	4	6801-2RS	12 mm ID x 21 mm OD x 5 mm W	
J	Horst Pivot Spacer	4	-	12 mm ID x 21 mm OD x 2.5 mm W	
K	Horst Pivot Center Spacer	2	-	6 mm ID x 16 mm OD x 16 mm W	

 Apply green Loctite 603 to the bearing and bore interface surfaces before pressing them into their respective pivot locations. Allow to cure for 12 hours before riding.

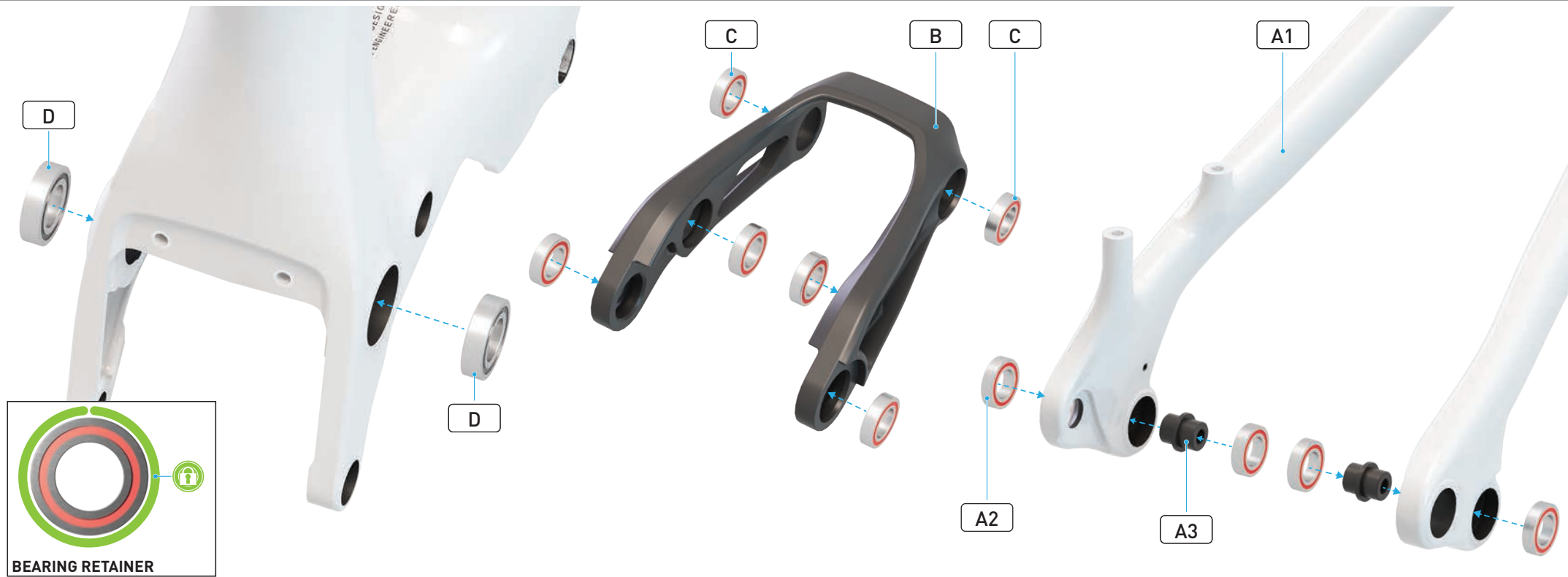
5.3. BOLTS, AXLE, WASHERS, AND FLIP CHIPS



	LOCATION	QTY	DIMENSION (MM)	TOOL SIZE	TORQUE		NOTES
					Nm	in-lbf	
L	Main Pivot Bolt Drive Side	1	M12 x 23 mm x 1.0 mm P (LH)	6 mm hex	21	186	   ** * 
M	Main Pivot Bolt Non-Drive Side	1	M12 x 23 mm x 1.0 mm P	6 mm hex	21	186	  ** * 
N	Link At Seat Tube Bolt	2	M12 x 17 mm x 1.0 mm P	6 mm hex	20	177	  ** *
O	Link At Extension Bolt	2	M12 x 14 mm x 1.0 mm P	6 mm hex	23	204	  ** *
P	Link At Seatstay Bolt	2	M12 x 27 mm x 1.0 mm P	6 mm hex	20	177	  ** *
Q	Horst Pivot Bolt	2	M6 x 32 mm x 1.0 mm P	5 mm hex	12	106	  ** *
R	Horst Pivot Flip Chips - Outer	2	M6 Geo adjust pivot				
S	Horst Pivot Flip Chips - Inner	2	M6 Geo adjust pivot- threaded				
T	Rear Shock Mounting Bolt	1	M8 x 28 mm x 1.25 mm P	6 mm hex	20	177	  *
U	Rear Shock Mounting Washer	1	8.4 mm ID x 13 mm OD x 0.5 mm Thk				
V	Shock Extension Flip Chips	2	8 mm ID x 15 mm OD x 6.5 mm Thk				
W	Forward Shock Mounting Bolt	1	M5 x 13 mm x 0.8 mm P	4 mm hex	6	53	  *
X	Forward Shock Mounting Axle	1	8 mm OD x 0.8 mm x 31.2 mm	4 mm hex			
* Bolts treated with blue threadlocker - apply grease to non-threaded surfaces only. DO NOT apply grease to threads.				** Bolts treated with Everseal 183 threadlocker - apply grease to all contact surfaces.			

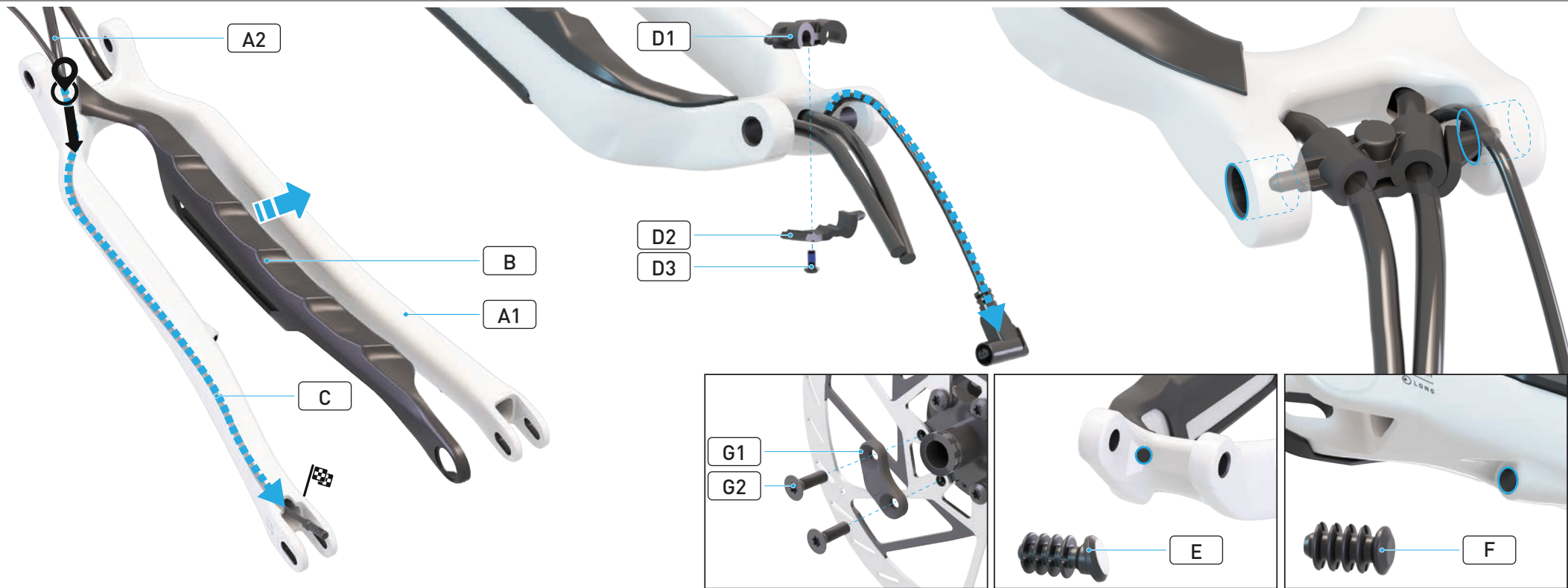
 **CAUTION:** Before reinstalling the main pivot bolts, inspect the bolt threads for damage and reapply Everseal 183 threadlocker before reassembly. Should there be visible wear on the threads, replace the bolts.

5.4. REAR TRIANGLE ASSEMBLY - BEARINGS



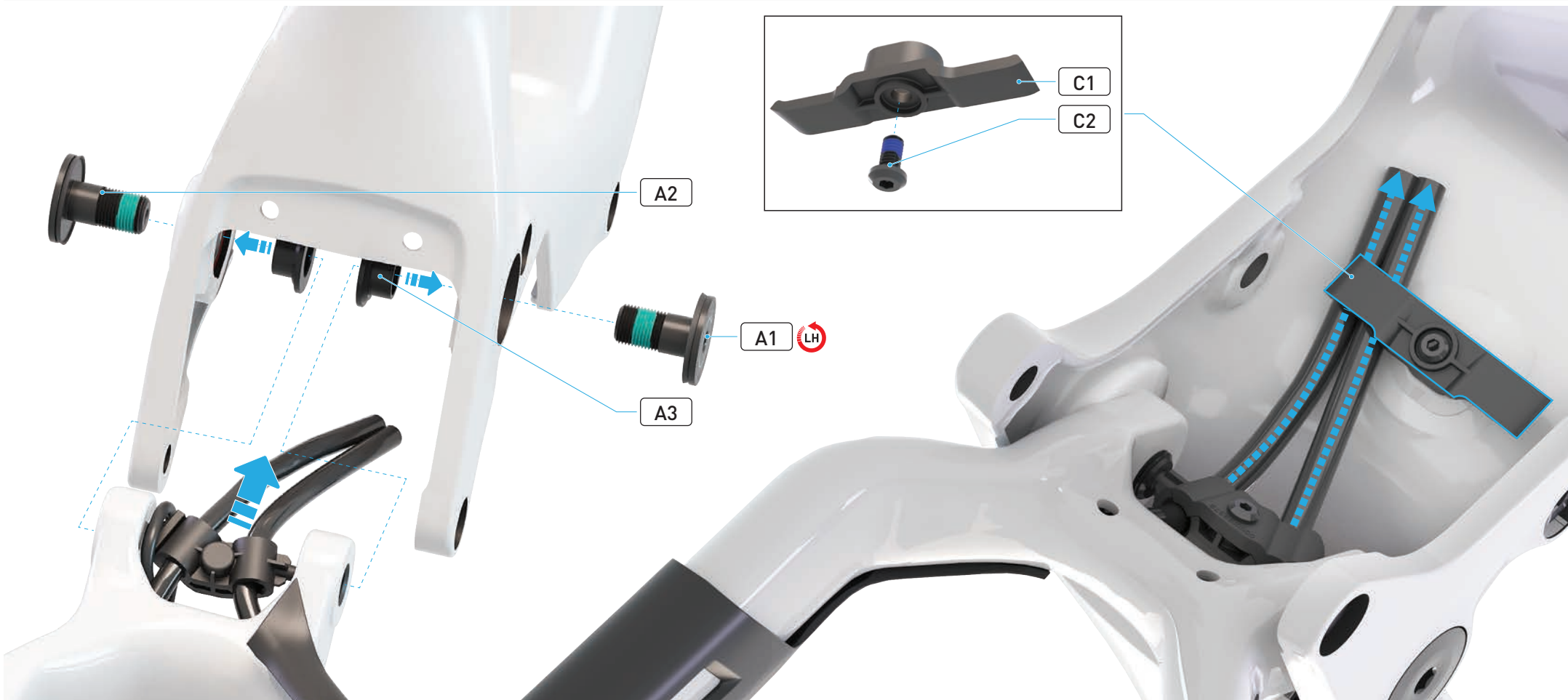
	PART NAME		PART #	ALT PART #	QTY	DESCRIPTION	TOOL	TORQUE		NOTES
								Nm	in-lbf	
A	A1	Carbon Seatstay			1	SS,MTB,PA TRAIL FSR H1,29"F/27.5"R, CRBN				Carbon Frames
	A2	Carbon Seatstay Bearings	S225000010	PART OF S240600003	4	12 mm ID x 21 mm OD X 5 mm Thk, Double Sealed				
	A3	Horst Pivot Step Spacer			2	Step Spacer 6 mm ID X 16 mm OD X 16 mm W				
A	A1	Alloy Seatstay			1	STS MY26 LEVO (GEN.4) SEATSTAY, ALLOY, 27.5"				Alloy Frames
	A2	Alloy Seatstay Bearings	S225000009	PART OF S240600003	4	12 mm ID x 21 mm OD X 5 mm Thk, Double Sealed				
	A3	Horst Pivot Step Spacer			2	Step Spacer 6 mm ID X 16 mm OD X 16 mm W				
B	Shock Link	S224200018			1	LINK,MTB,PA TRAIL FSR H1,29"F/27.5"R, ALY				
C	Shock Link Bearings		PART OF S240600003		6	12 mm ID x 21 mm OD X 5 mm Thk, Double Sealed				
D	Main Pivot Bearing		S240600003		2	15 mm ID x 28 mm OD x 6 mm Thk, Double Sealed				










5.5. REAR TRIANGLE ASSEMBLY - CHAINSTAY



	PART NAME		PART #	ALT PART #	QTY	DESCRIPTION	TOOL	TORQUE		NOTES
								Nm	in-lbf	
A	A1	Chainstay Carbon	S221500016		1	CS,MTB,PA TRAIL FSR H1,29F/27.5R,CRBN				Carbon Frames
	A2	Nylon Guide Tube			2	5.5 mm ID x 7 mm OD Nylon Guide Tube				425mm DS / 325mm NDS
	A1	Chainstay Alloy	S221500015		1	CHS MY26 LEVO 4, CHAINSTAY, ALLOY, 27.5"				Alloy Frames
	A2	Nylon Guide Tube			2	5.5 mm ID x 7 mm OD Nylon Guide Tube				425mm DS / 325mm NDS
B	Chainstay Protector		S226900008		1	CS PROTECTOR,PA TRAIL FSR H1				Secured by Mudflap
C	Speed Sensor Cable		S246800018		1	CA,SPEED SNSR,PLUTO,1000 mm				Route over Cable Guide
D	D1	Main Pivot Cable Guide Female			1	KIT,ICR,MP,FEMALE,MTB,PA TRAIL FSR H2.2				
	D2	Main Pivot Cable Guide Male	S246500008		1	ICR,MP,MALE,MTB,PA TRAIL FSR H2.2				
	D3	Main Pivot Cable Guide Bolt			1	M4 x 8 mm x 0.7 mm P	2.5 mm hex	2.5	22	
E	Angled Port Plug		S246500010		1	PLUG,HOUSING,6MM AND 7MM,BLACK	Used to Plug Chainstay Bridge ICR Cable Port if Unused			
F	Flat Port Plug		S246500011		1	ICR INSERT PLUG,MTB,PA TRAIL FSR 2.1,29F/27.5R	Used to Plug Chainstay ICR Cable Port if Unused			
G	G1	Speed Sensor Magnet			1	6-BOLT SPEED SENSOR LOW PROFILE, W/BOLTS				
	G2	Speed Sensor Magnet Bolt	S194200016		2	M5 x 15 mm x 0.8 mm P	T25	6	53	

5.6. REAR TRIANGLE ASSEMBLY - MAIN PIVOT



	PART NAME		PART #	ALT PART #	QTY	DESCRIPTION	TOOL	TORQUE		NOTES
								Nm	in-lbf	
A	A1	Main Pivot Bolt Drive Side			1	M12 x 23 mm x 1.0 mm P (LH)	6 mm hex	21	186	   
	A2	Main Pivot Bolt Non-Drive Side	S240500010		1	M12 x 23 mm x 1.0 mm P	6 mm hex	21	186	  
	A3	Main Pivot Center Spacer			2	12 mm ID X 23 mm OD X 9.6 mm Thk				
B	B1	Motor Cavity Cable Guide			1	ICR, FIX, MOTOR MOUNT, MTB, PA TRAIL FSR H2.2				
	B2	Motor Cavity Cable Guide Bolt	S246500009		1	M4 x 8 mm x 0.7 mm P	2.5 mm hex	2.5	22	



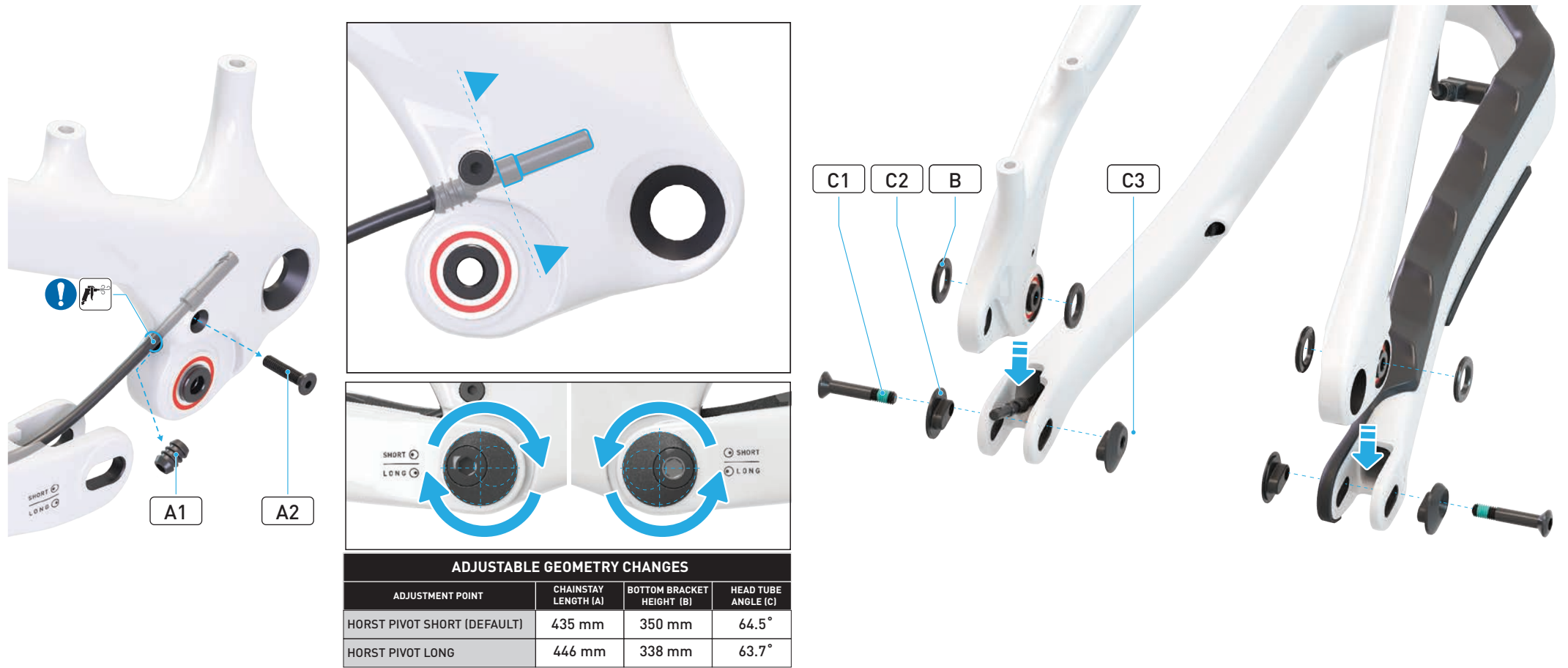
CAUTION: Before reinstalling the main pivot bolts, inspect the bolt threads for damage and reapply Everseal 183 threadlocker before reassembly. Should there be visible wear on the threads, replace the bolts.

5.7. REAR TRIANGLE ASSEMBLY - LINK AT SEAT TUBE & LINK AT SEATSTAY



	PART NAME	PART #	ALT PART #	QTY	DESCRIPTION	TOOL	TORQUE		NOTES
							Nm	in-lbf	
A	Shock Link	S224200018		1	LINK,MTB,PA TRAIL FSR H1,29F/27.5R,ALY				
B	Carbon Seatstay	S225000010		1	MY25 LEVO 4 SEATSTAY, CARBON				Carbon Frames
	Alloy Seatstay	S225000009		1	STS MY26 LEVO 4, SEATSTAY, ALLOY, 27.5"				Alloy Frames
C	C1 Link at Seat Tube Bolt	Part of S240500010		2	M12 x 17 mm x 1.0 mm P	6 mm hex	20	177	
	C2 Link at Seatstay Bolt			2	M12 x 27 mm x 1.0 mm P	6 mm hex	20	177	
D	Bearing Spacer	Part of S240600003		6	12.1 mm ID x 19.5 mm OD x 3 mm Thk	2.5 mm hex	2.5	22	

5.8. REAR TRIANGLE ASSEMBLY - SEATSTAY AT HORST PIVOT

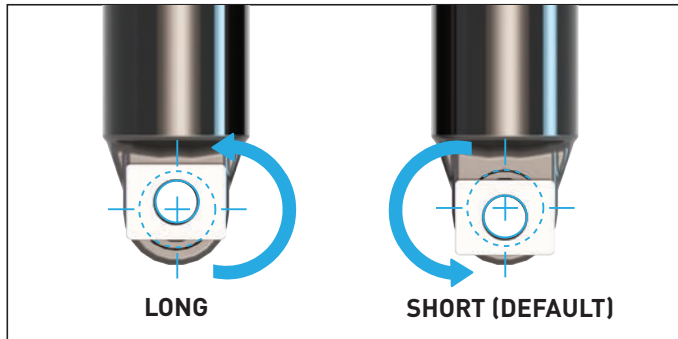
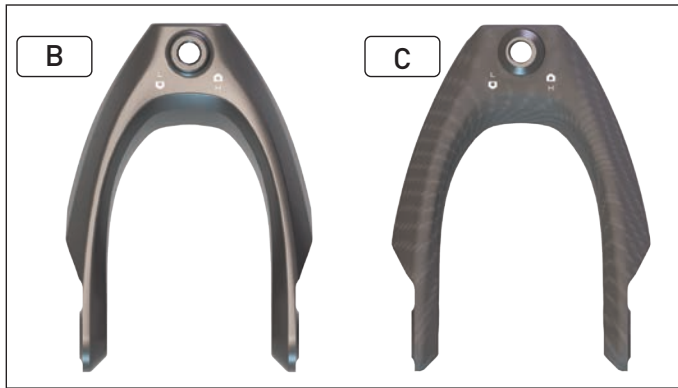


	PART NAME		PART #	ALT PART #	QTY	DESCRIPTION	TOOL	TORQUE		NOTES			
								Nm	in-lbf				
A	A1	Speed Sensor Grommet	Part of S246800015		1	GROMMET,SPEED SENSOR,3mm ID FOR 6.4 mm							
	A2	Speed Sensor Bolt											
B	Horst Pivot Outer Spacer		Part of S240600003			12.1 mm ID x 19.5 mm OD x 3 mm Thk							
C	C1	Horst Pivot Bolt	Part of S240500010	S214200059	1	M6 x 32.5 mm x 1.0 mm P	5 mm hex	12	106				
	C2	Horst Outer Pivot Flip Chip								2	SPCR,DO PIVOT SPACER,GEO ADJ,6.0 ID,FLAT,ALY		
	C3	Horst Inner Pivot Flip Chip								2	SPCR,DO PIVOT,GEO ADJ,M6 X 1,ALY		



CAUTION: Dirt and grime could accumulate around the speed sensor during use, preventing it from being removed. When removing the speed sensor, don't pull the wire out of the sensor. First, remove the speed sensor bolt and grommet, then use compressed air to remove any debris that could have accumulated around the speed sensor and gently pull the speed sensor out.

5.9. REAR TRIANGLE ASSEMBLY - REAR SHOCK



ADJUSTABLE GEOMETRY CHANGES

ADJUSTMENT POINT	CHAINSTAY LENGTH (A)	BOTTOM BRACKET HEIGHT (B)	HEAD TUBE ANGLE (C)
EXTENSION SHORT (DEFAULT)	435 mm	350 mm	64.5°
EXTENSION LONG	433 mm	356 mm	64.9°

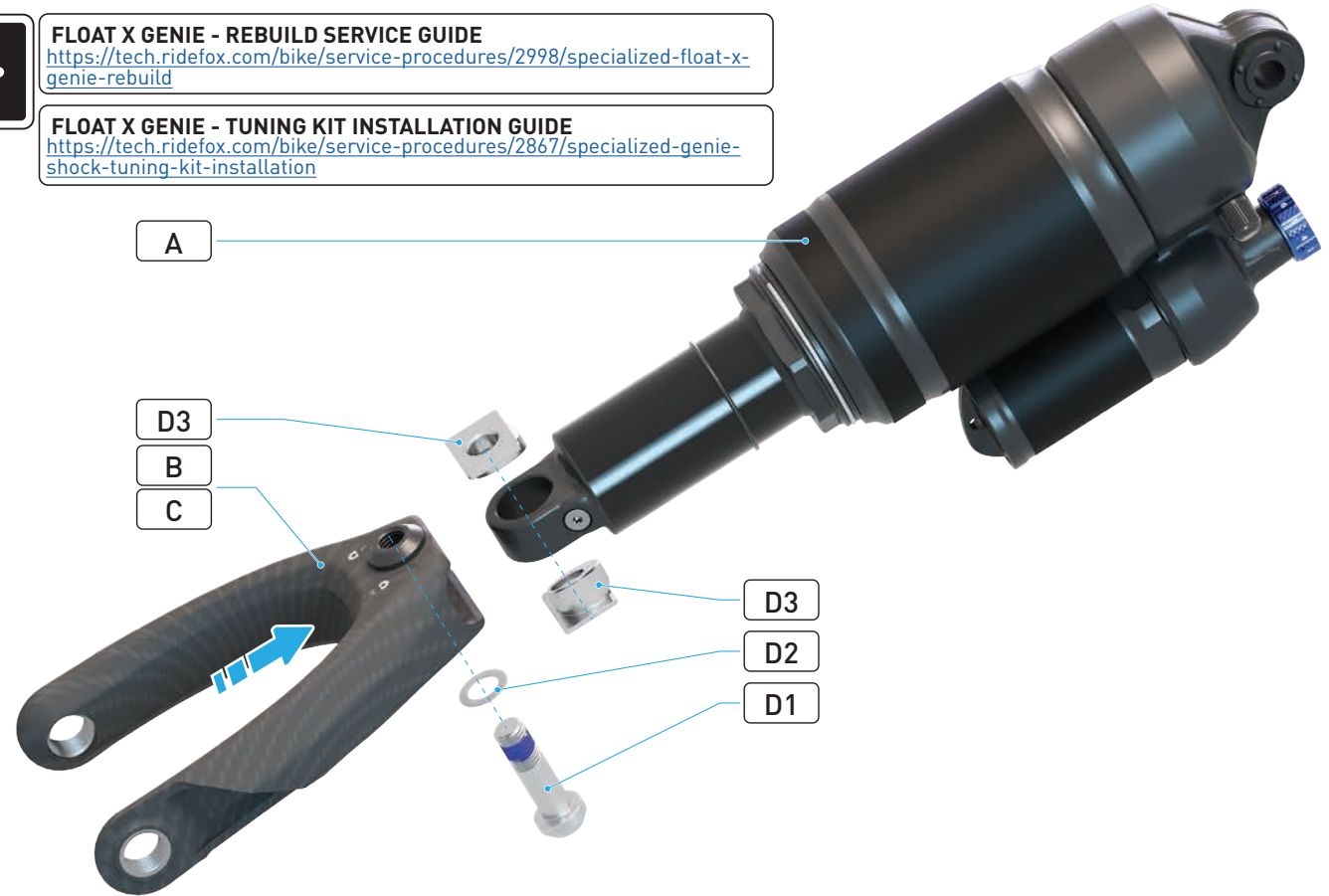


FLOAT X GENIE - REBUILD SERVICE GUIDE

<https://tech.ridefox.com/bike/service-procedures/2998/specialized-float-x-genie-rebuild>

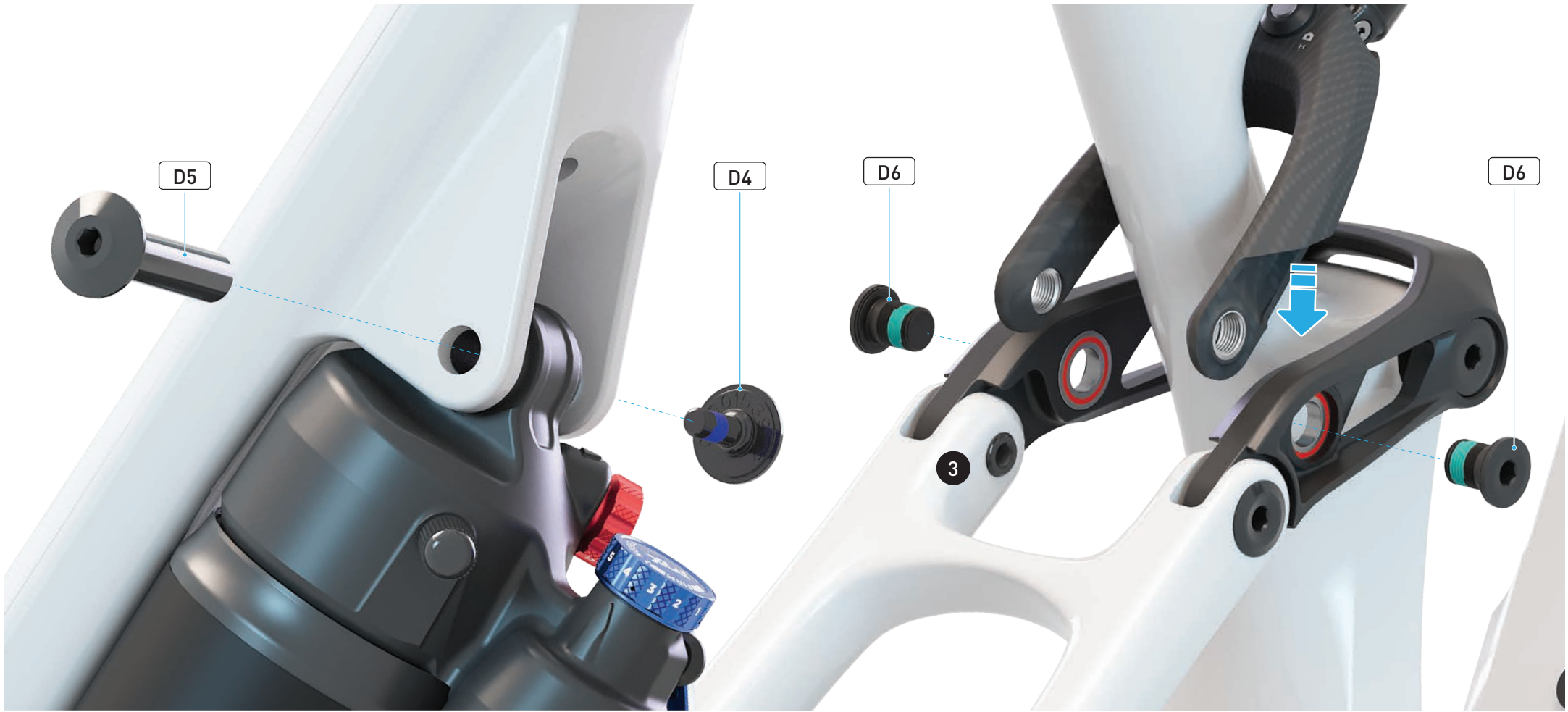
FLOAT X GENIE - TUNING KIT INSTALLATION GUIDE

<https://tech.ridefox.com/bike/service-procedures/2867/specialized-genie-shock-tuning-kit-installation>



	PART NAME	PART #	ALT PART #	QTY	DESCRIPTION	TOOL	TORQUE		NOTES
							Nm	in-lbf	
A	Rear Shock - Expert	S244200008		1	MY25 FOX, FLOAT X GENIE, PERFORMANCE ELITE, 210 mm x 55 mm,				
A	Rear Shock - S-Works	S244200006		1	MY25 FOX, FLOAT X GENIE, FACTORY, 210X55 mm, LEVO (GEN.4)				
B	Shock Extension - Alloy	S226300007		1	MY24 LEVO (GEN.4) SHOCK EXTENSION, ALLOY, 91 mm LENGTH				
C	Shock Extension - Carbon	S226300008		1	MY24 LEVO (GEN.4) SHOCK EXTENSION, CARBON, 91 mm LENGTH				S-works Models
D	D1 Rear Shock Mounting Bolt	S240500009	Part of S240500010	1	M8 x 28 mm x 1.25 mm P	6 mm hex	20	177	
	D2 Rear Shock Mounting Washer			2	8.4 ID mm x 13 mm OD x 0.5 mm Thk				
	D3 Shock Extension Flip Chips			2	Geo Adjust Chips 8 mm ID x 15 mm OD x 6.5 mm Thk				


5.10. REAR TRIANGLE ASSEMBLY - REAR SHOCK EXTENSION



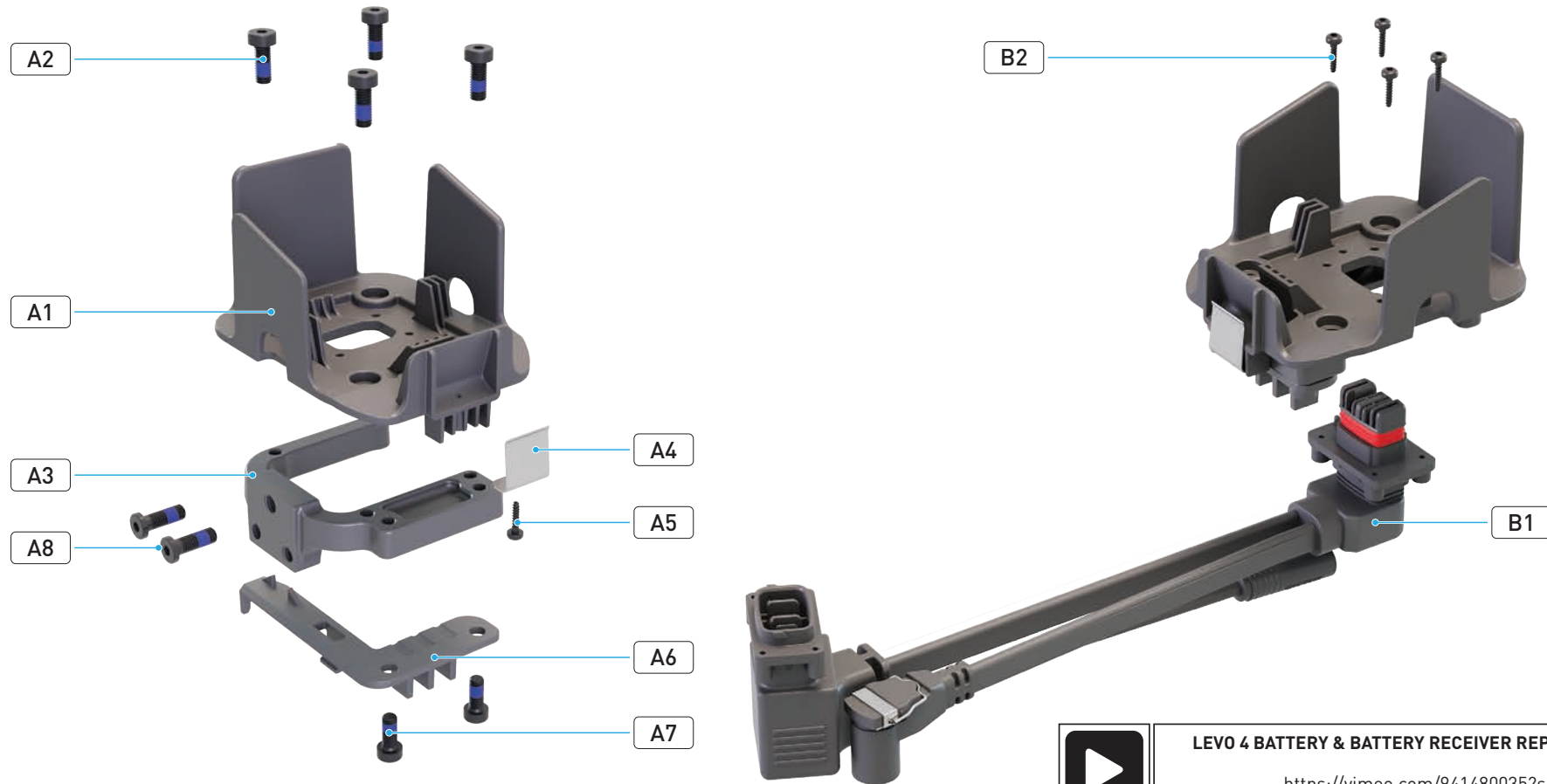
	PART NAME	PART #	ALT PART #	QTY	DESCRIPTION	TOOL	TORQUE		NOTES
							Nm	in-lbf	
D	D4 Forward Shock Mounting Bolt	Part of S240500009		1	M5 x 13 mm x 0.8 mm P	4 mm hex	6	53	
	D5 Forward Shock Mounting Axle			1	8 mm OD x 0.8 mm x 31.2 mm	4 mm hex			
	D6 Link at Extension Bolt	Part of S240500010		2	M12 x 14 mm x 1.0 mm P	6 mm hex	23	204	

5.11. REAR TRIANGLE ASSEMBLY - MUDFLAP



	PART NAME	PART #	ALT PART #	QTY	DESCRIPTION	TOOL	TORQUE		NOTES
							Nm	in-lbf	
A	A1 Mudflap	S226900009		1	MUD FLAP,CO-MOLDED,PA TRAIL FSR H2				Only install Mudflap with the chainstay guard installed
	A2 Mudflap bolt			2	M4 x 10 mm x 0.7 mm P	4 mm hex	1.5	13	 Apply to contact surface /avoid the thread

5.12. BATTERY RECEIVER



LEVO 4 BATTERY & BATTERY RECEIVER REPLACEMENT GUIDE

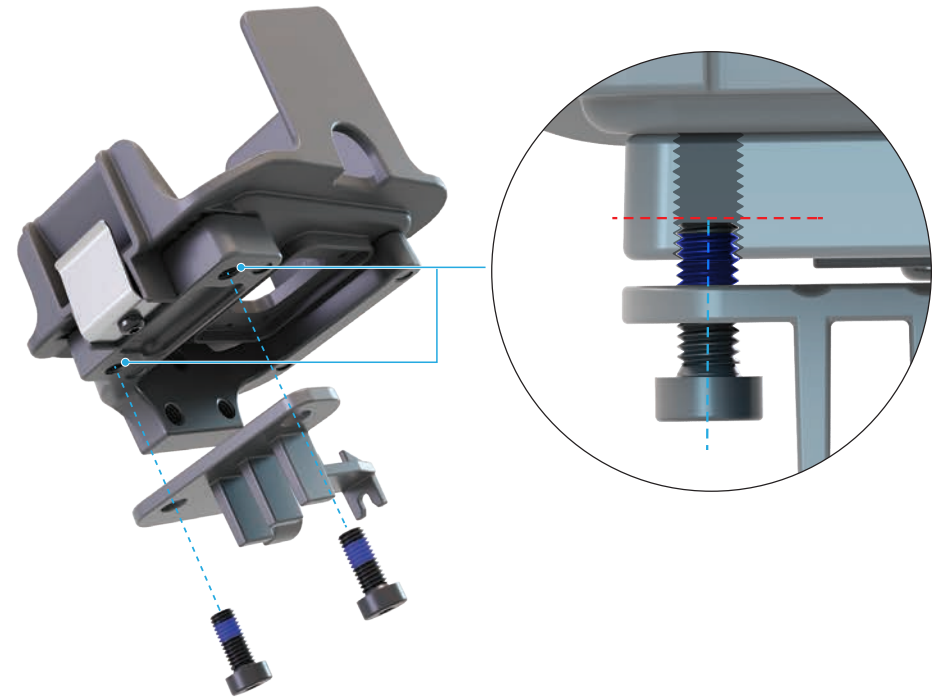
<https://vimeo.com/941480035?share=copy>

	PART NAME		PART #	QTY	DESCRIPTION	TOOL	TORQUE		NOTES
							Nm	in-lbf	
A	A1	Battery Receiver		1	BTRY RECEIVER,PLUTO,BOTTOM				
	A2	Battery Receiver Bolt		4	M5 x 12 mm x 0.8 mm P	3 mm hex	3	27	
	A3	Frame Adapter		1	FRAME ADAPTER,MTB,PA TRAIL FSR H1,14S3P,PLUTO				
	A4	Battery Cover Spring		1	SPR,BTRY COVER,PLUTO,PA TRAIL FSR H2				
	A5	Battery Cover Spring Screw	S246800004	1	M2.2 x 10 mm	T8 Torx	0.5	4	
	A6	Battery Receiver Cable Guide		1	CBL GUIDE,HMI CONN,BROSE,PLUTO				Install before Main Harness
	A7	Battery Cable Guide Bolt		2	M5 x 12 mm x 0.8 mm P	3 mm hex	2	18	Shared with battery receiver bolt
	A8	Battery Receiver Mounting Bolt		2	M5 x 14.5 mm x 0.8 mm P	3 mm hex	4.5	40	Push the battery receiver against the installed battery to ensure alignment before torquing the bolts.
B	B1	Main Harness -Motor-Battery-HMI	S226800022	1	CA,MAIN HARNESS,BROSE,PLUTO				Motor-Battery-HMI
	B2	Main Harness Screw		4	M2.2 x 10 mm	T8 Torx	0.5	4	

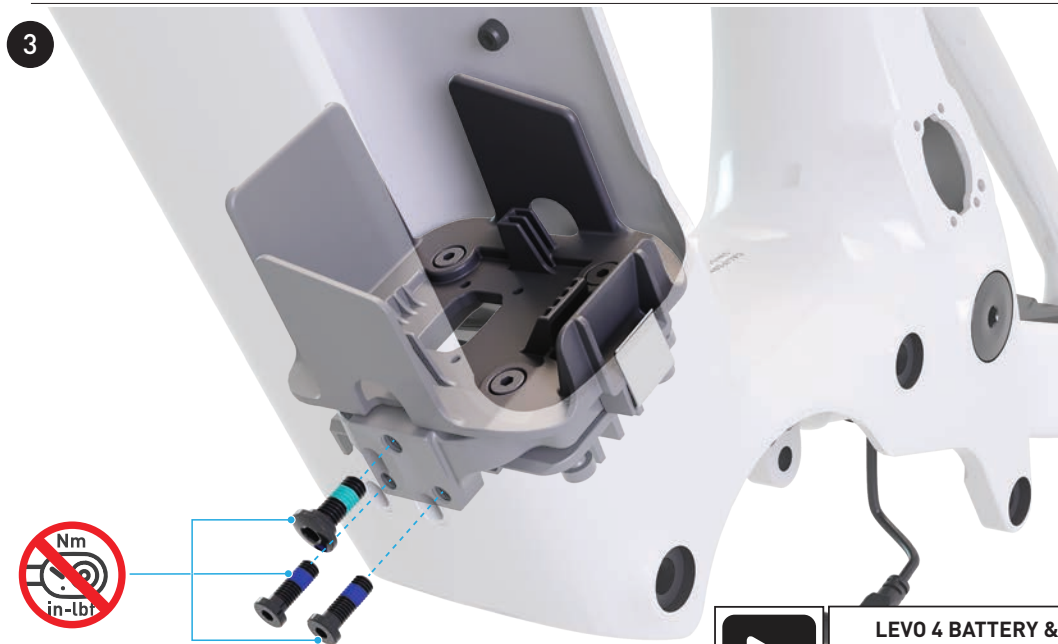
1



2



3

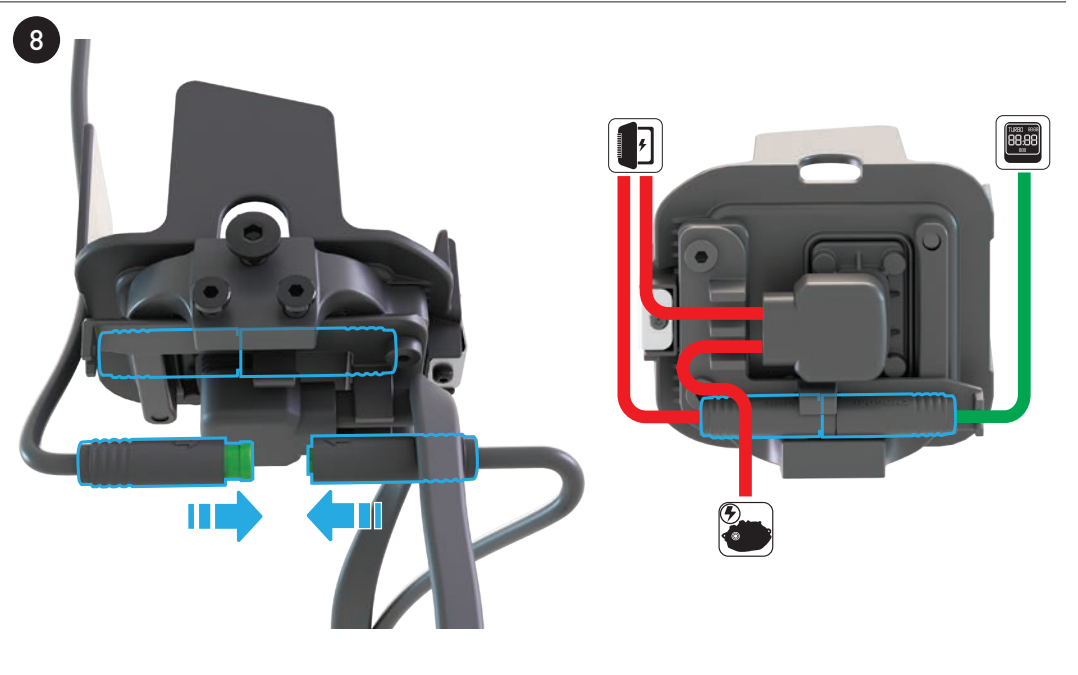
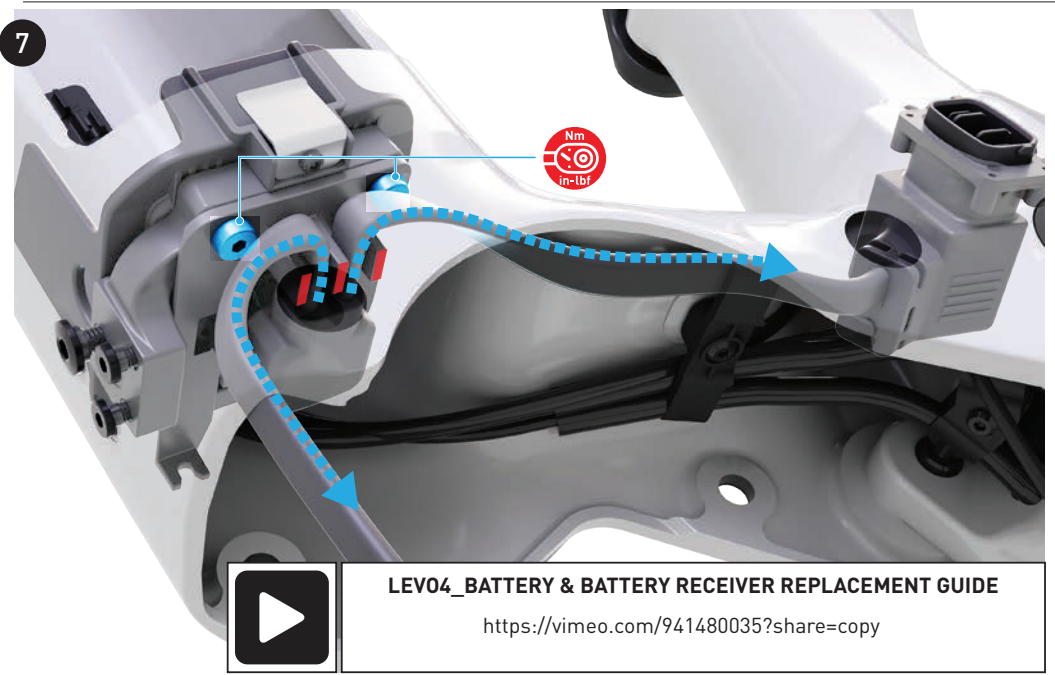
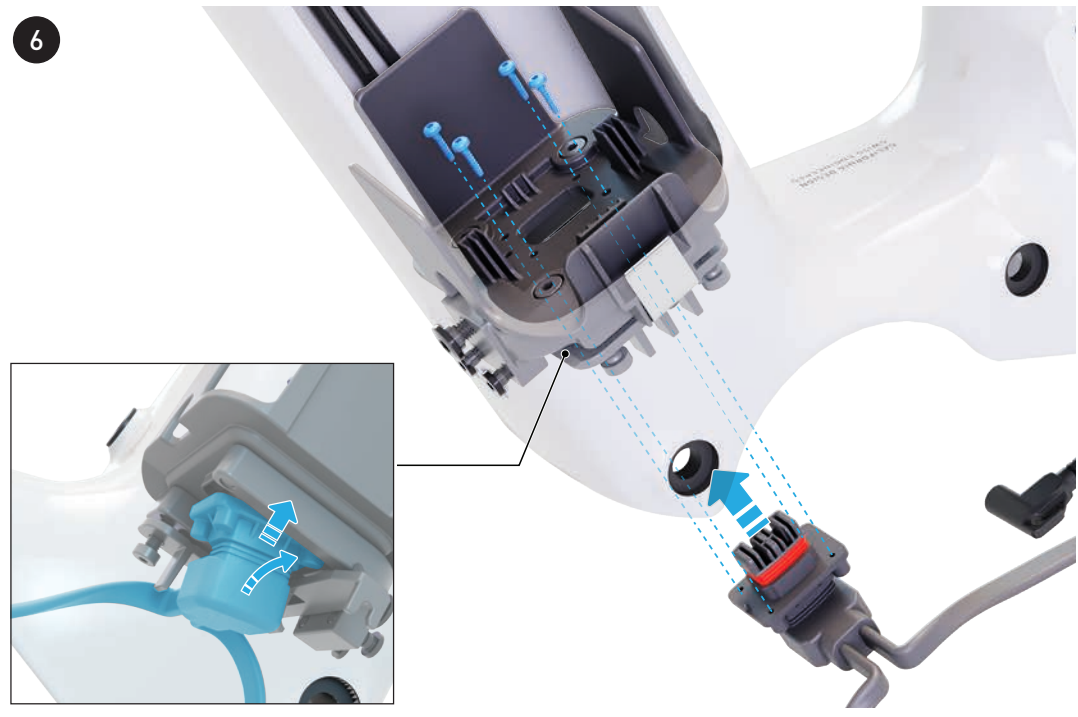
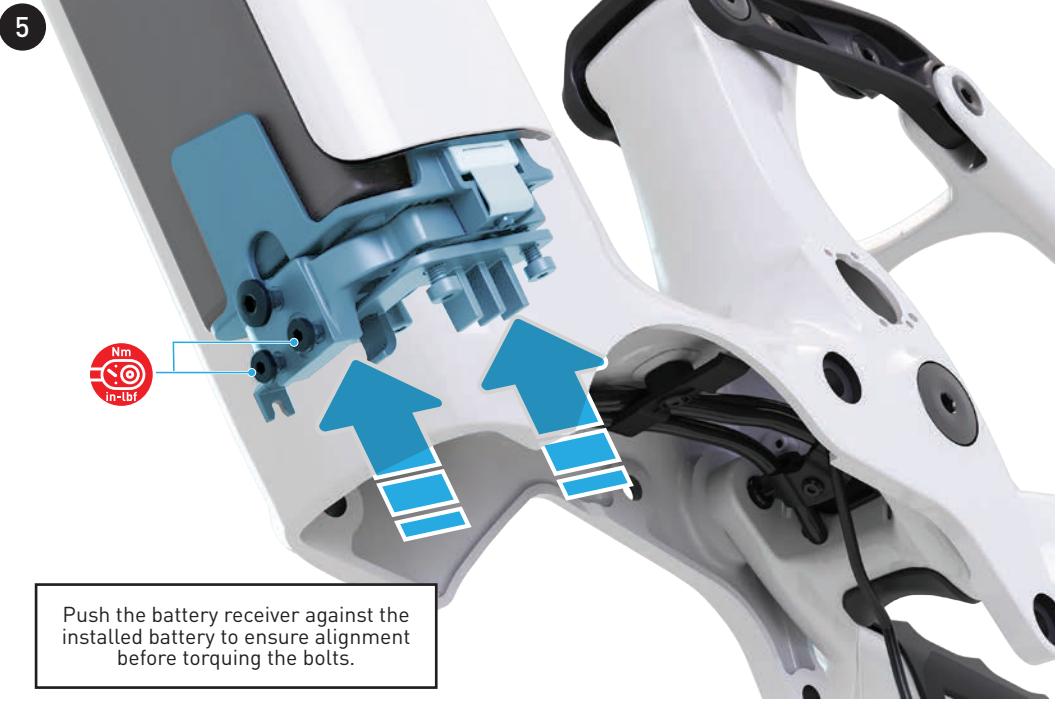


4



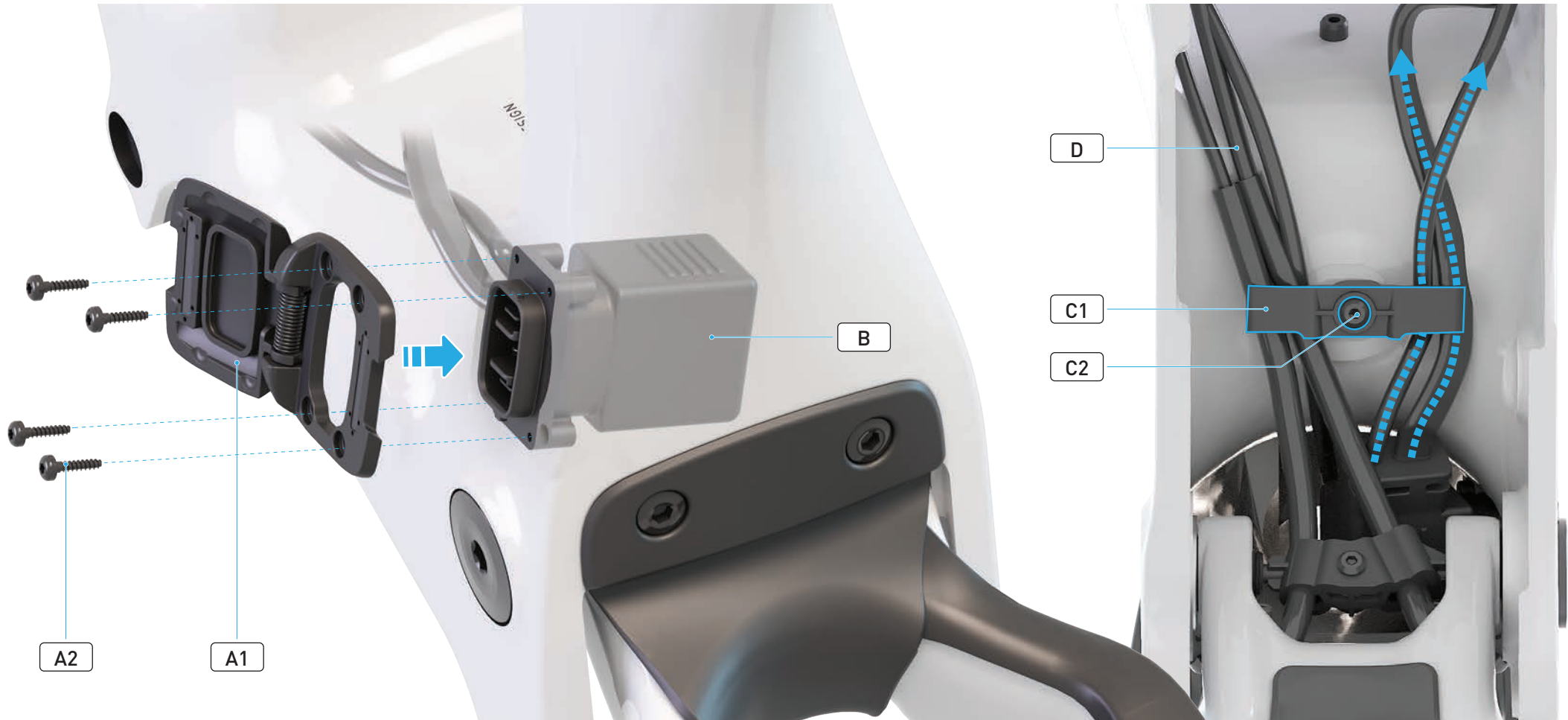
LEVO 4 BATTERY & BATTERY RECEIVER REPLACEMENT GUIDE

<https://vimeo.com/941480035?share=copy>



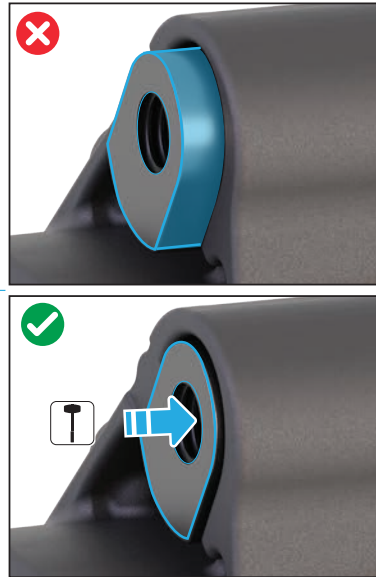
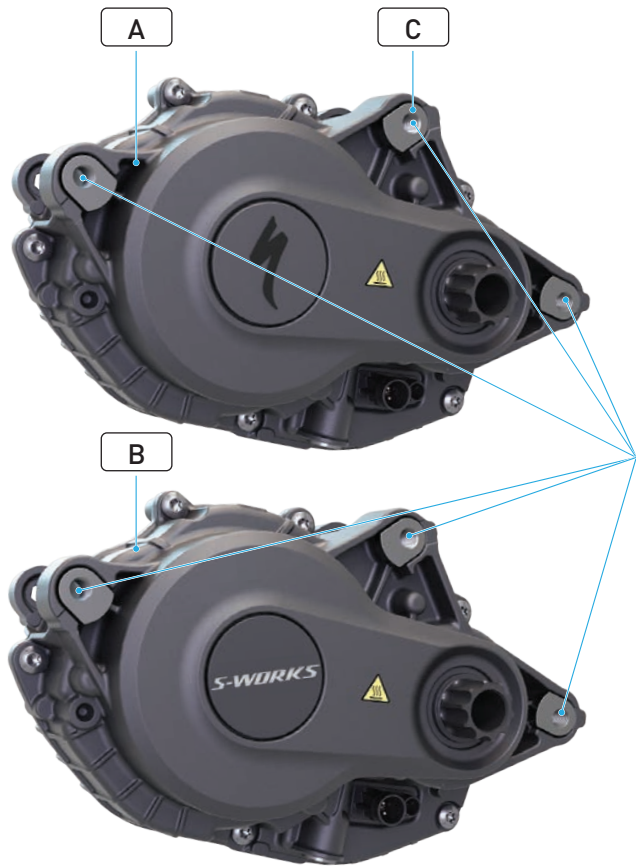
6. BATTERY AND MOTOR

6.1. CHARGEPORT DOOR ASSEMBLY



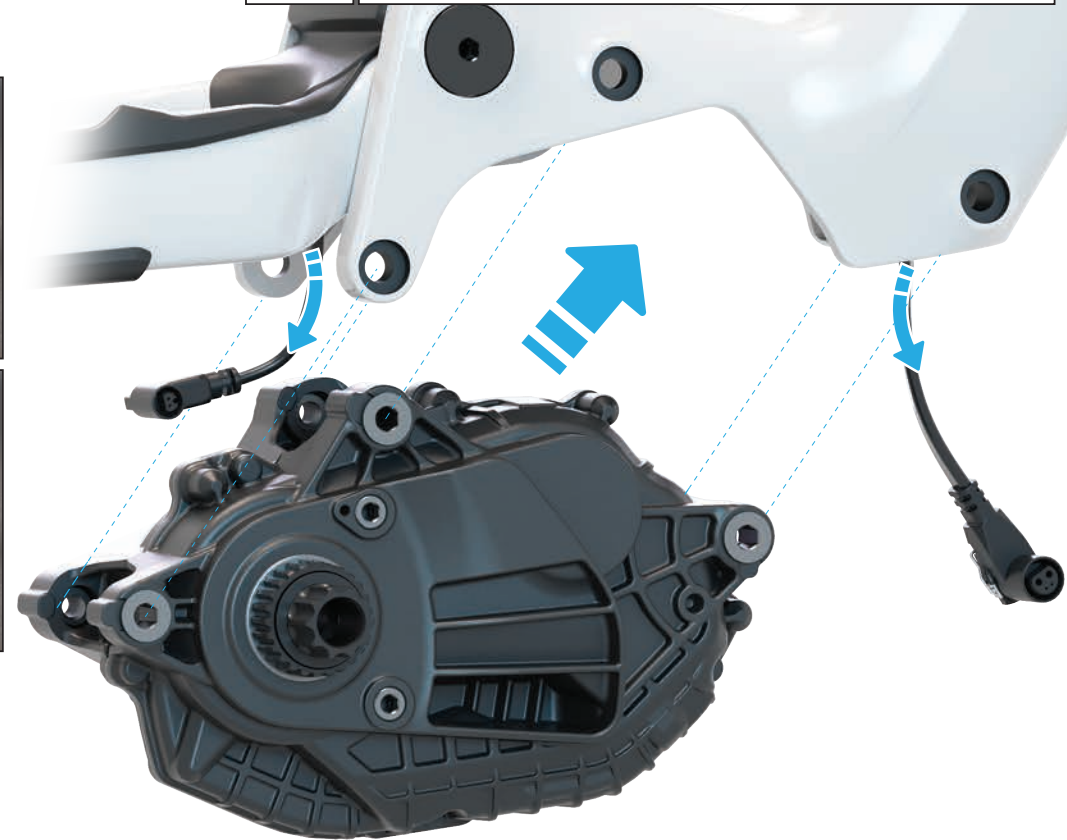
	PART NAME	PART #	ALT PART #	QTY	DESCRIPTION	TOOL	TORQUE		NOTES
							Nm	in-lbf	
A	A1 Chargeport Door	S229900027		1	CHARGEPORT DOOR,PLUTO,SELFOPENING				
	A2 Chargeport Door Screw			4	M2.2 x 10 mm	T8 Torx	0.5	4	
B	Main Harness -Motor-Battery-HMI	S226800022		1	CA,MAIN HARNESS,BROSE,PLUTO				Motor-Battery-HMI
C	C1 Motor Cavity Cable Guide	S246500009		1	ICR,FIX,MOTOR MOUNT,MTB,PA TRAIL FSR H2.2				
	C2 Motor Cavity Cable Guide Bolt			1	M4 x 8 mm x 0.7 mm P	2.5 mm hex	2.5	22	Apply to contact surface / avoid the thread
D	AXS Derailleur Adaptor Cable	S246800019		1	ELE WIRING, SPECIALIZED FULL POWER 3.1 SYSTEM, WIRED AXS DERAILLEUR ADAPTER CABLE, 780MM LENGTH				AXS Equipped Models Only

6.2. MOTOR ASSEMBLY



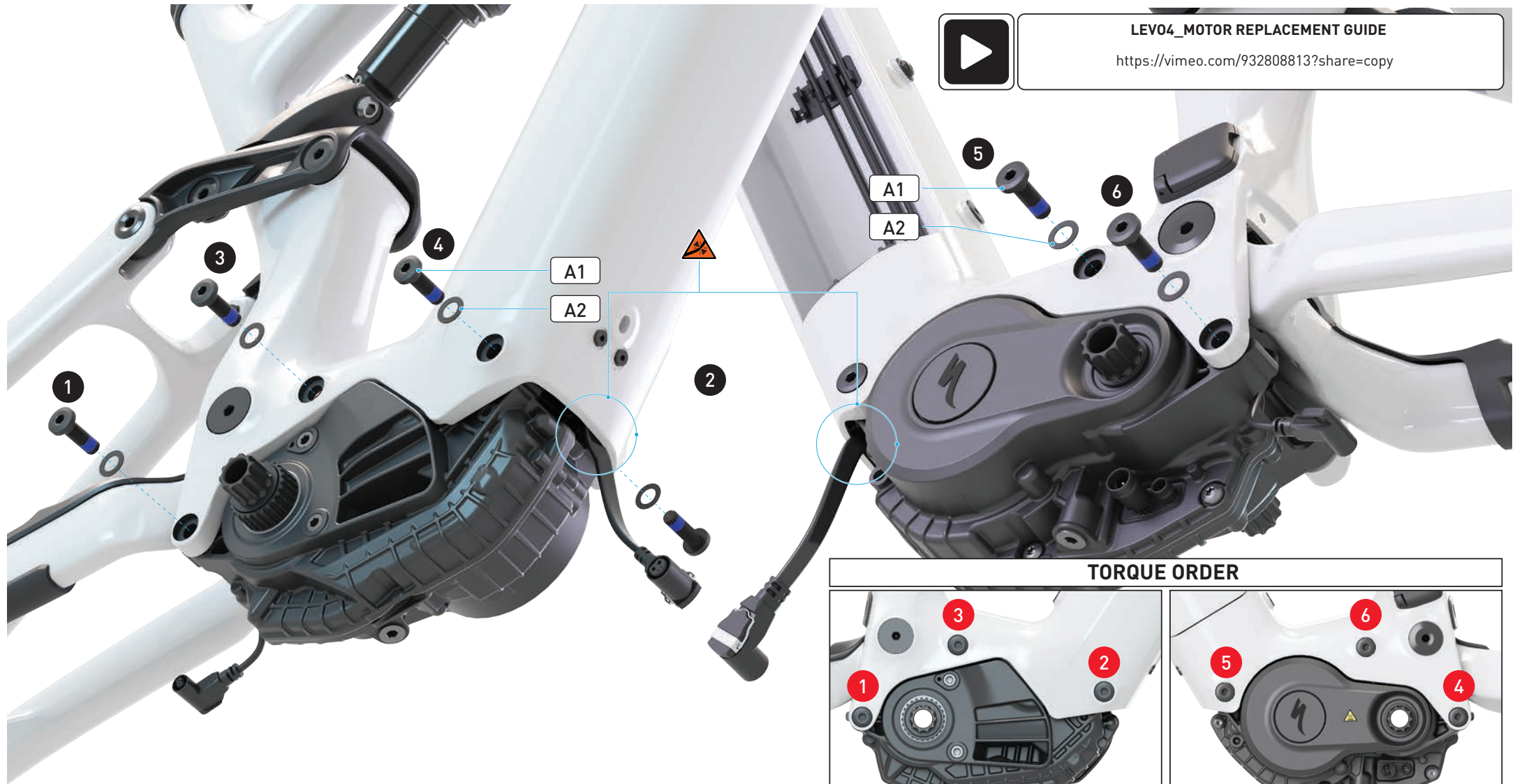
LEV04_MOTOR REPLACEMENT GUIDE

<https://vimeo.com/932808813?share=copy>



	PART NAME	PART #	ALT PART #	QTY	DESCRIPTION	NOTES
A	Motor - Gen 3	S226800019		1	MOTOR TLA,BROSE GEN3	
B	S-Works Motor - Gen 3	S246800025		1	MOTOR TLA,BROSE GEN3,S-WORKS	
C	Threaded Motor Mount Inserts	Included with motor		3	THREADED MOTOR MOUNT INSERTS, NON-DRIVE SIDE	Use a rubber mallet to reset the position of all three NDS inserts before installing the motor.

6.3. MOTOR ASSEMBLY - MOTOR BOLTS



LEV04_MOTOR REPLACEMENT GUIDE
<https://vimeo.com/932808813?share=copy>

TORQUE ORDER

5 mm | 15 Nm | 133 in-lbf | A1

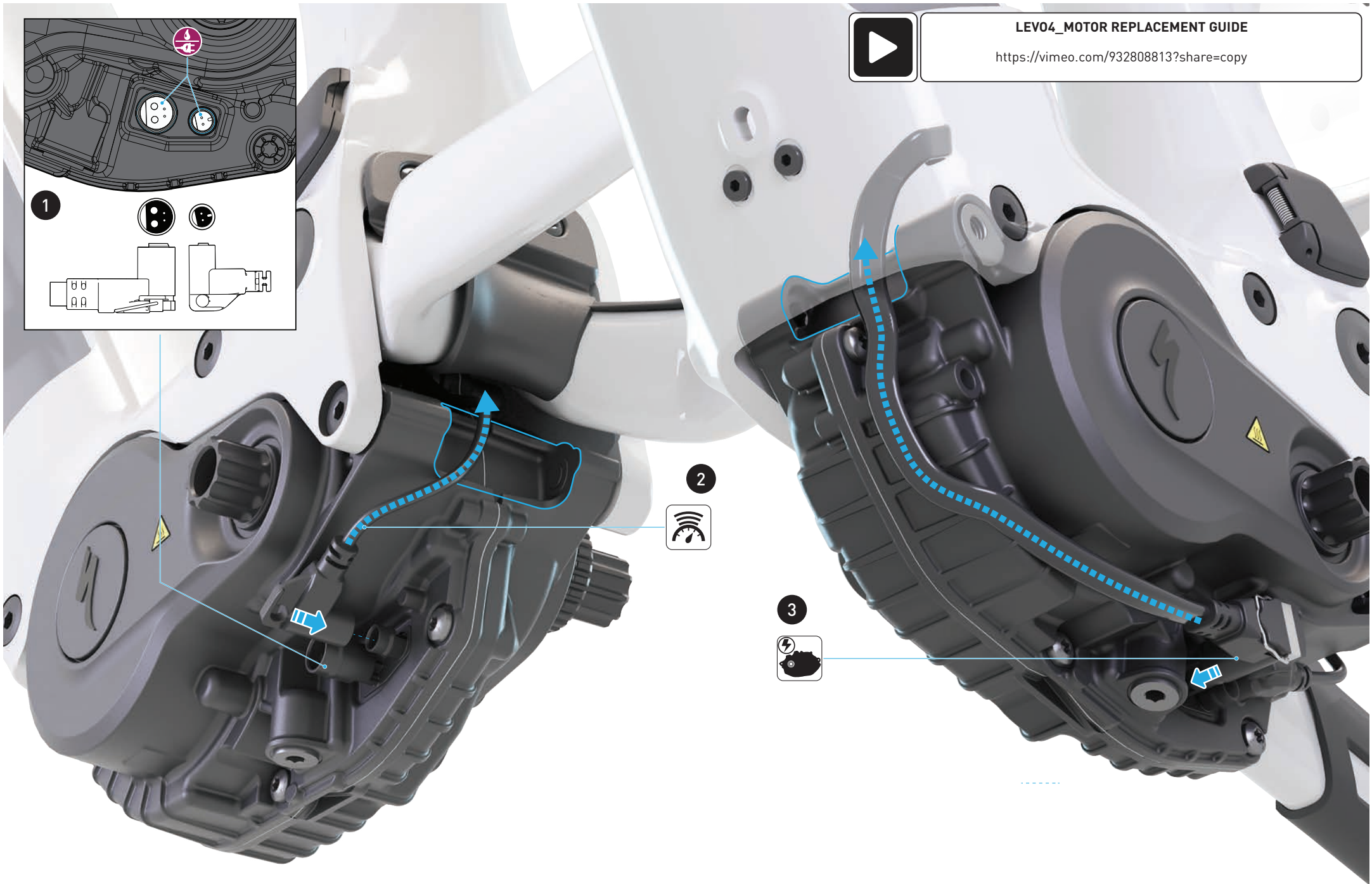
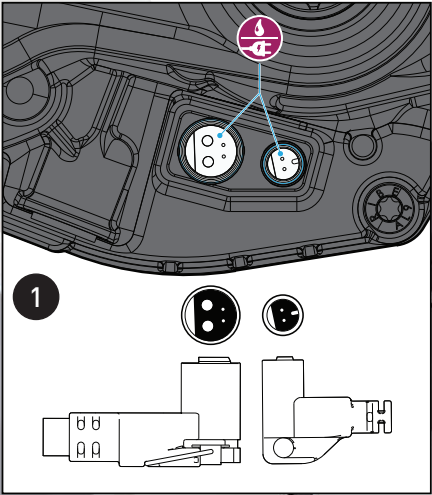
5 mm | 15 Nm | 133 in-lbf | A1

	PART NAME	PART #	ALT PART #	QTY	DESCRIPTION	TOOL	TORQUE		NOTES
							Nm	in-lbf	
A	A1 Motor Mount Bolt	S240500008		6	M8 x 24 mm x 1.25 mm P	5 mm hex	15	133	Follow the order in red when torquing the bolts.
	A2 Motor Mount Washer			6	9 mm ID x 15 mm OD x 0.5 mm Thk				



LEV04_MOTOR REPLACEMENT GUIDE

<https://vimeo.com/932808813?share=copy>



6.4. ROCK GUARD



	PART NAME	PART #	ALT PART #	QTY	DESCRIPTION	TOOL	TORQUE		NOTES
							Nm	in-lbf	
A	A1 Rock Guard	S229900026		1	MOTOR COVER,PA TRAIL FSR H2				
	A2 Rock Guard Bolt			2	M6 x 13 mm x 1.0 mm P	4 mm hex	5	44	Apply to contact surface / avoid the thread

6.5. BATTERY COVER ASSEMBLY



	PART NAME	PART #	ALT PART #	QTY	DESCRIPTION	TOOL	TORQUE		NOTES
							Nm	in-lbf	
A	Main Battery	98924-5681		1	SBC - B26 SBC - B34 SPECIALIZED X2-840 BATTERY (SERVICE-AM)				
B	B1 Battery Bracket	S2446800005		1	MAIN BATTERY, TOP MOUNTING BRACKET, W/ BOLTS				
	B2 Battery Bracket Bolt			4	M4 x 8 mm x 0.7 mm P	2.5 mm hex	2	18	
C	C1 Battery Cover	Click here for Battery door table		1	BTRY COVER,MTB,PA TRAIL FSR H1.2				Model and colour specific
	C2 Battery Cover Bolt			1	M8 x 14 mm x 1.0 mm P	4 mm hex	5	44	With O-Ring
D	Battery Cover Bolt Insert	S240500011		1	THREADED INSERT FOR BATTERY COVER BOLT	5 mm hex	8	70	Carbon Frame Only

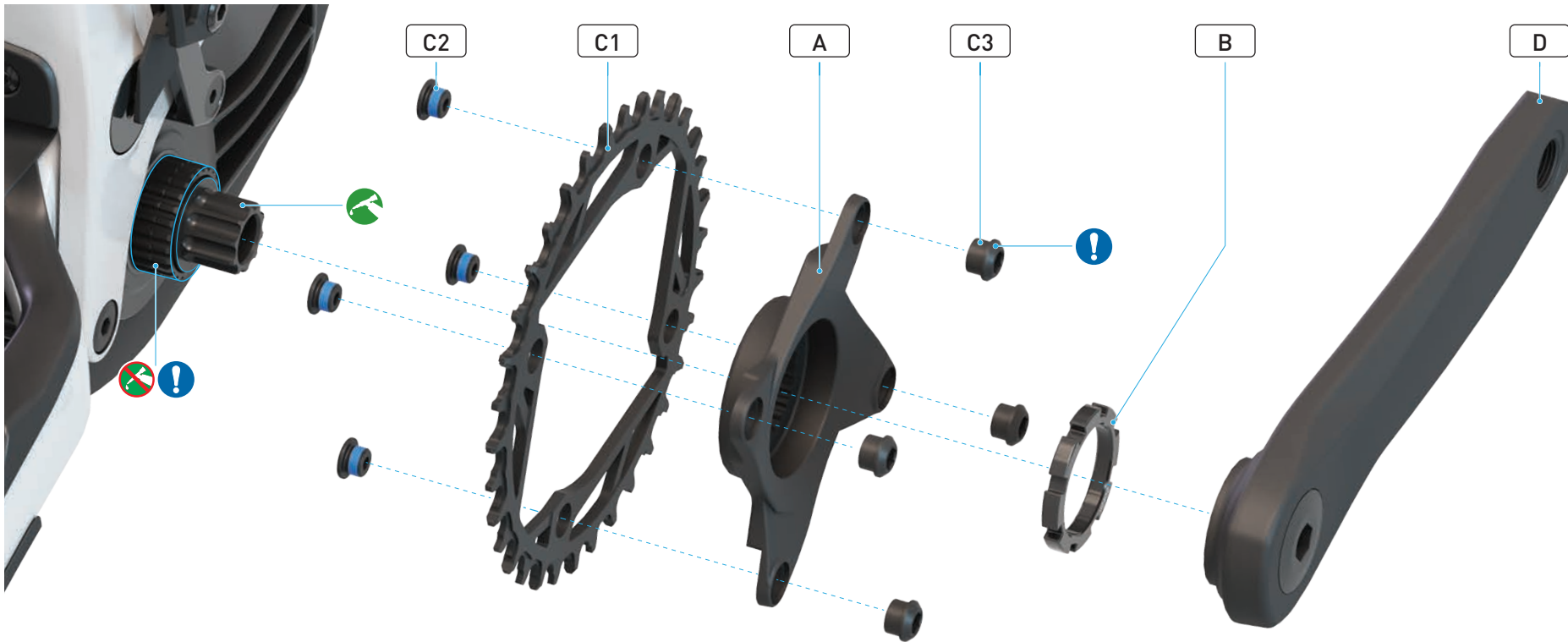
7. DRIVETRAIN

7.1. CHAINGUIDE ASSEMBLY



	PART NAME		PART #	ALT PART #	QTY	DESCRIPTION	TOOL	TORQUE		NOTES
								Nm	in-lbf	
A	A1	Outer Plate	S221200007		1	CHN GUIDE, OUTER PLATE, PA TRAIL FSR F1				
	A2	Outer Plate Nut			1	M8 x 1 mm P Nut	5 mm hex	3.5	30	Adjust position according to chain wheel size
	A3	O-Ring			1	9 mm ID x 1.5 mm Thk O-Ring				
	A4	Inner Plate			1	CHN GUIDE, INNER PLATE, PA TRAIL FSR F1				
	A5	Back Plate			1	CHN GUIDE, BACK PLATE, PA TRAIL FSR H2				
	A6	Spacer Outer			1	8.2 mm ID x 12 mm OD x 1 mm Thk				
	A7	Spacer Inner			3	8.2 mm ID x 12 mm OD x 0.5 mm Thk				
	A8	Guide Bolt			1	M8 x 11 mm x 1 mm P Slotted				
	A9	Dowel Pin			1	3 mm OD x 10 mm				
	A10	Mounting Bolt			1	M6 x 16 mm x 1 mm P	4 mm hex	3.5	30	

7.2. SPIDER & CHAINWHEEL



	PART NAME	PART #	ALT PART #	QTY	DESCRIPTION	TOOL	TORQUE		NOTES
							Nm	in-lbf	
A	Spider	S225100005		1	SPR TURBO, SPECIALIZED 3.1 MOTOR SPIDER, 104 BCD, 4-BOLT, 55MM CL, ALLOY				DO NOT apply grease to the spider spline before assembly of the spider and lockring.
B	Spider Lockring	S245100001		1	SPR SUB, SPECIALIZED 3.1 MOTOR, SPIDER LOCKRING	Park Tool BBT-18	20	177	
C	C1 Chainwheel								
	C2 Chainwheel Bolt	S231400002		4	CHR TURBO, 34T, T-TYPE 12-SPD, 4-BOLT, 104BCD, 1X RING, STEEL, SRAM				
	C3 Chainwheel Nut		4						Only use the supplied short chainring nuts/bolts to prevent them striking the chain guide.
	Crank Arm - Alloy	S241600011		2	SRAM FC X0 BROSE ISIS M15SE 155 ARMS ONLY	8 mm	54	478	155 mm, Alloy / Apply grease to ISIS spline.
	Crank Arm - Carbon	S241600006		2	SRAM FC XX BROSE ISIS M15SE 160 ARMS ONLY, CARBON	8 mm	54	478	160 mm, Carbon / Apply grease to ISIS spline.

! CAUTION: DO NOT apply grease to the spider spline before assembling the spider and spider lockring.

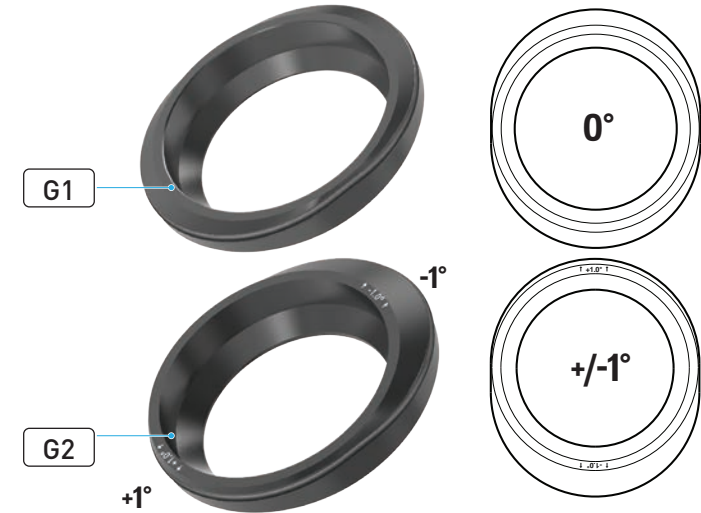
! CAUTION: Only use the supplied chainring nut (5 mm) to prevent it from striking the chain guide once assembled.

8. HEADSET STACK

8.1. HEADSET



ADJUSTABLE GEOMETRY CHANGES			
ADJUSTMENT POINT	CHAINSTAY LENGTH (A)	BOTTOM BRACKET HEIGHT (B)	HEAD TUBE ANGLE (C)
Headset Cup (0°) (Default)	435 mm	350 mm	64.5°
Headset Cup (-1°)	-	-2 mm	-1°
Headset Cup (+1°)	-	-2 mm	-1°

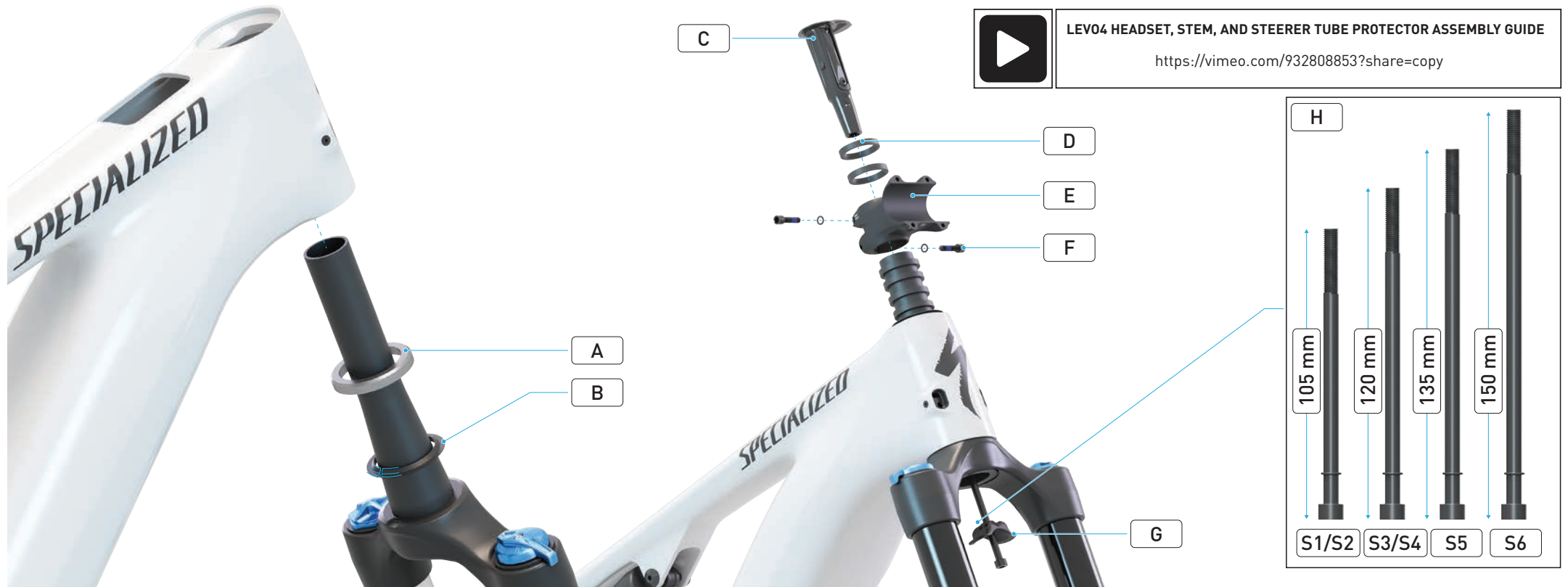


LEVO4 HEADSET, STEM, AND STEERER TUBE PROTECTOR ASSEMBLY GUIDE

<https://player.vimeo.com/video/932808853>

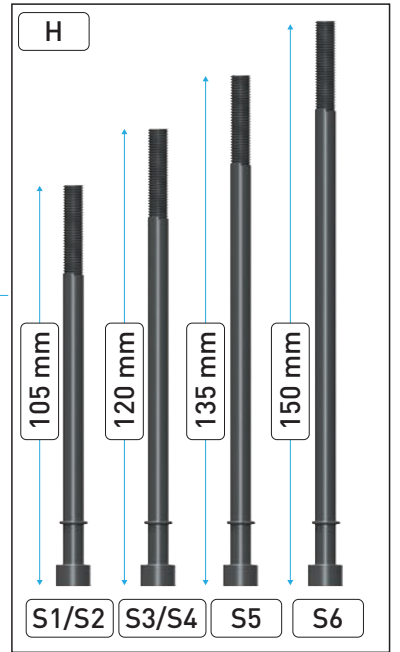
	PART NAME	PART #	ALT PART #	QTY	DESCRIPTION	TOOL	TORQUE		NOTES
							Nm	in-lbf	
A	Top Cap			1	H2387 ALLOY WITH O-RING				
B	Micro Shim			1	MW006 SHIM				
C	Compression Ring	S242500004		1	H2081A (No. 8-2) ALLOY COMPRESSION RING				
D	Upper Headset Bearing			1	UPPER BEARING MR215 1-1/8" 45°				
E	Lower headset Bearing		S092500001	1	LOWER BEARING MR170 1,5" 45°				
F	Split Crown Race			1	CROWN RACE H6106				Split to face the rear of the bicycle
G	G1	Headset Cup [0°] (Default)		1	HDS SUB, MY22 LEVO HEADSET CUPS KIT, W/ 0-DEG AND +/-1-DEG CUPS				
	G2	Headset Cup [+1°/-1°]	S212500015	1					
	G3	Lower Headset Cup		1					

8.2. FORK ASSEMBLY



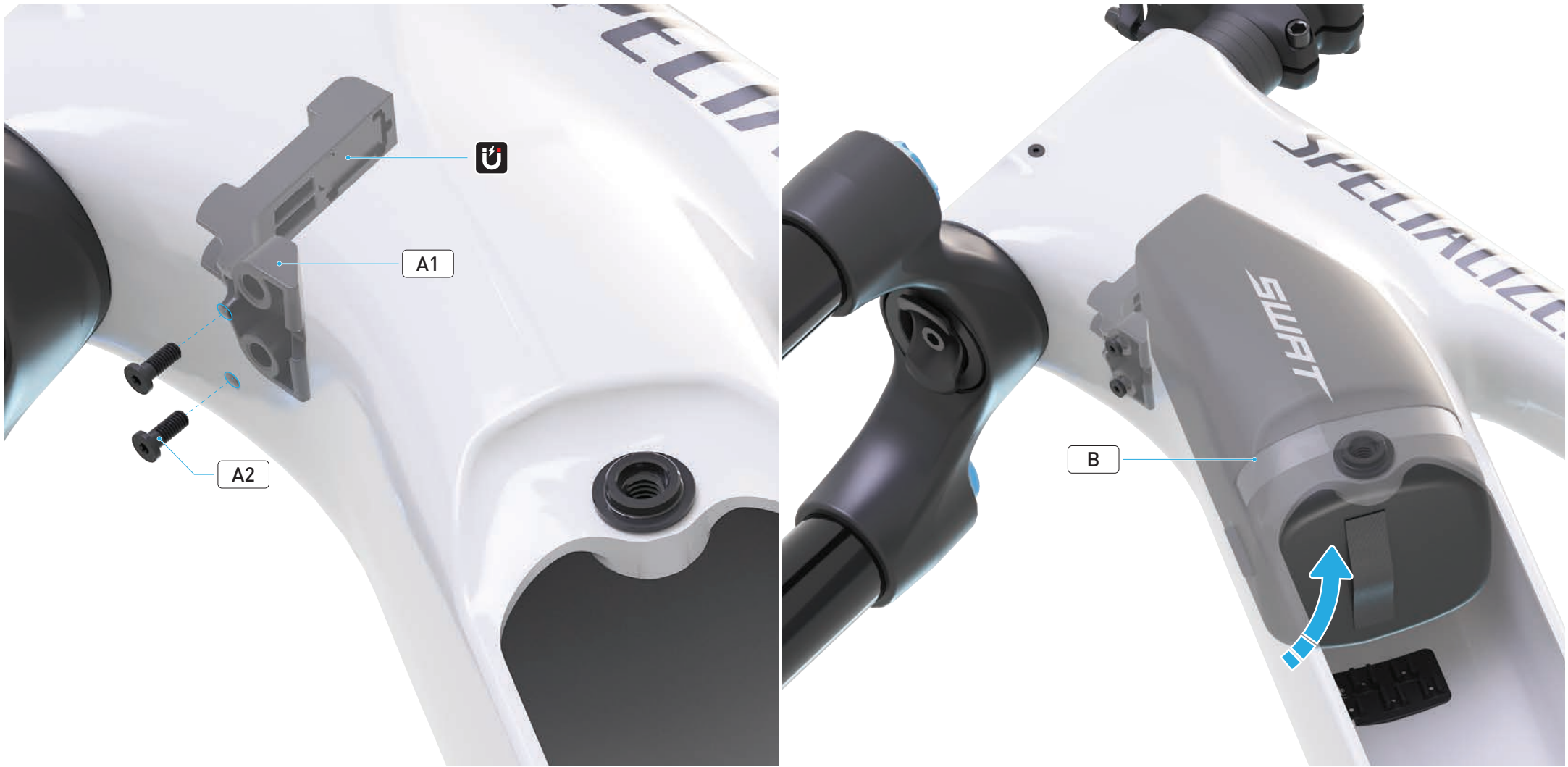
LEVO4 HEADSET, STEM, AND STEERER TUBE PROTECTOR ASSEMBLY GUIDE


<https://vimeo.com/932808853?share=copy>



	PART NAME	PART #	ALT PART #	QTY	DESCRIPTION	TOOL	TORQUE		NOTES
							Nm	in-lbf	
A	Lower Bwearing	Part of S242500004	S092500001	1	LOWER BEARING MR170 1,5" 45°				
B	Split Crown Race			1	CROWN RACE H6106				Split to face the rear of the bicycle
C	Swat™ Conceal Carry Mtb Tool	53224-1170		1	SWAT™ Conceal Carry MTB Tool-Narrow Cap				
D	Headset Spacer 5 mm			6	34 mm OD x 28.6 mm ID x 5 mm H				2 x above, 4 x below stem
E	Stem	Model Specific		1	40 mm - Model Specific				
F	Stem Steerer Bolts			2					Follow torque value etched onto the stem
G	SWAT™ Bow Tie Anchor	Part of 53224-1170		1					
H	SWAT™ Anchor Bolt 105 mm	S185300016		1	ANCHOR BOLT W/ CHAIN PIN DRIVER - 105MM LENGTH				Frame size specific.
	SWAT™ Anchor Bolt 120 mm	S185300017		1	ANCHOR BOLT W/ CHAIN PIN DRIVER - 120MM LENGTH				
	SWAT™ Anchor Bolt 135 mm	S182500009		1	ANCHOR BOLT W/ CHAIN PIN DRIVER - 135MM LENGTH				
	SWAT™ Anchor Bolt 150 mm			1	ANCHOR BOLT W/ CHAIN PIN DRIVER - 150MM LENGTH				

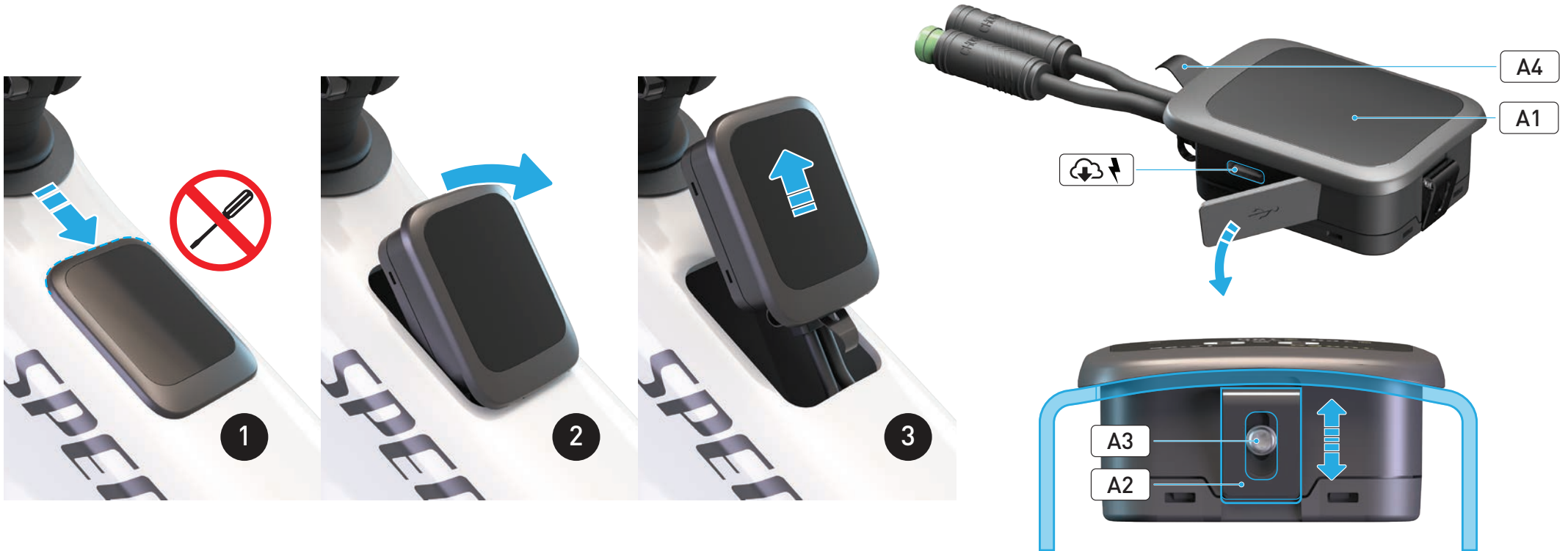
8.3. SWAT BAG MOUNT



	PART NAME		PART #	ALT PART #	QTY	DESCRIPTION	TOOL	TORQUE		NOTES
								Nm	in-lbf	
A	A1	Swat Bag Mounting Bracket	S249900022		1	SWAT,HOOK,MTB,PA TRAIL FSR H2				Magnetic
	A2	Swat Bag Mounting Bracket Bolt			2	M4 x 10 mm x 0.7 mm P	T10 Torx	1.5	13	 Apply to contact surface /avoid the thread
B		Swat Bag - Small	S249900024		1	SWAT BAG,MTB,PA TRAIL FSR H2,S2/S3				Frame Size S2/S3
		Swat Bag - Large	S249900023		1	SWAT BAG,MTB,PA TRAIL FSR H2,S4/S5/S6				Frame Size S4/S5/S6

9. MASTERMIND T3

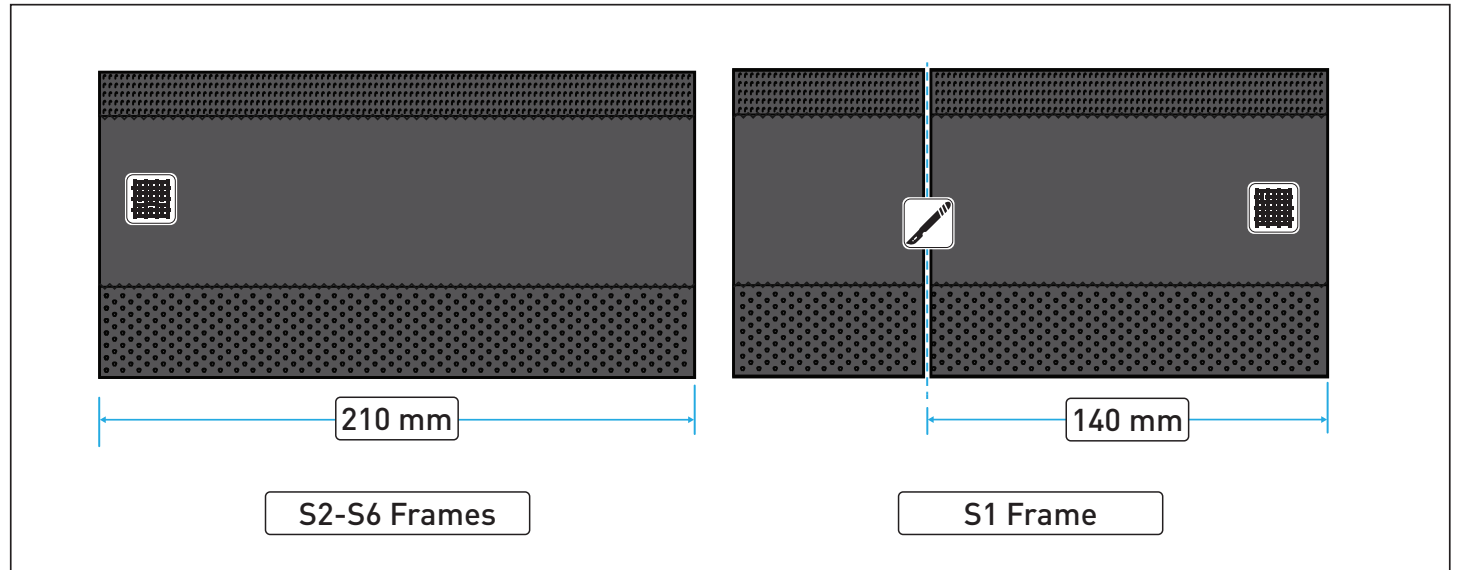
9.1. DISPLAY INSTALLATION



	PART NAME		PART #	ALT PART #	QTY	DESCRIPTION	TOOL	TORQUE		NOTES
								Nm	in-lbf	
A	A1	MasterMind T3 Display	S226800023		1	DISPLAY,TCU3,PA				
	A2	Front Leaf Spring			1	0.4 mm SUS304 DACROMET COATED				
B	A3	Front Leaf Spring Bolt			1	M4 x 6 mm x 1.7 mm P	T6	0.2	1.8	Use with supplied lock washer
	A4	Rear Leaf Spring			1	0.4mm SUS304 DACROMET COATED, SPRING FORCE (13N)				Adjust according to frame thickness

i Take care when installing the Mastermind T3 Display to not scratch the paint finish with the front spring.

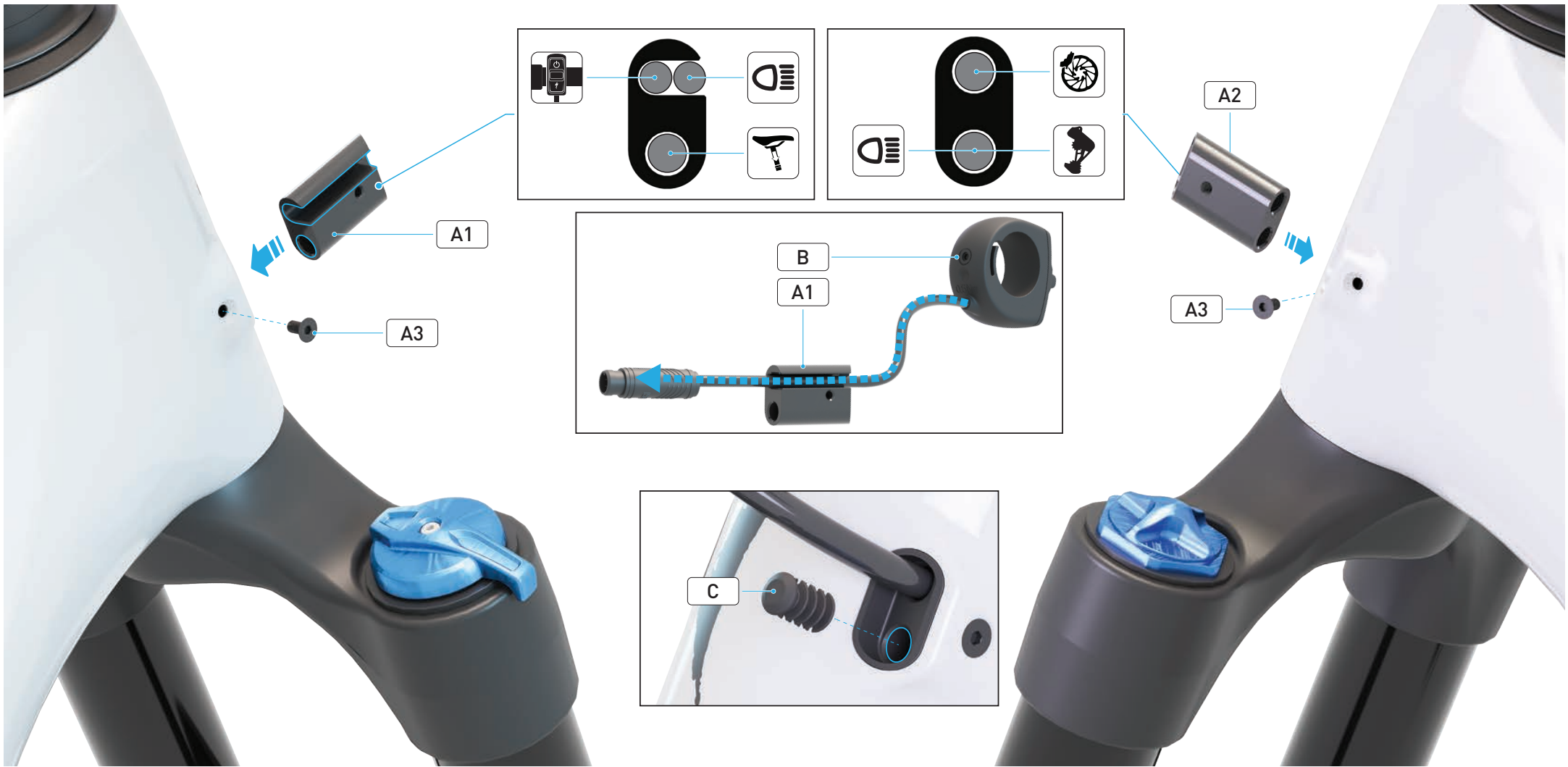
9.2. TOP TUBE CABLE WRAP



A	PART NAME	PART #	ALT PART #	QTY	DESCRIPTION	TOOL	TORQUE		NOTES
							Nm	in-lbf	
	Top Tube Cable Wrap	S249900025		1	PROTECTOR, TOP TUBE Y-SPLITTER & CABLE WRAP				

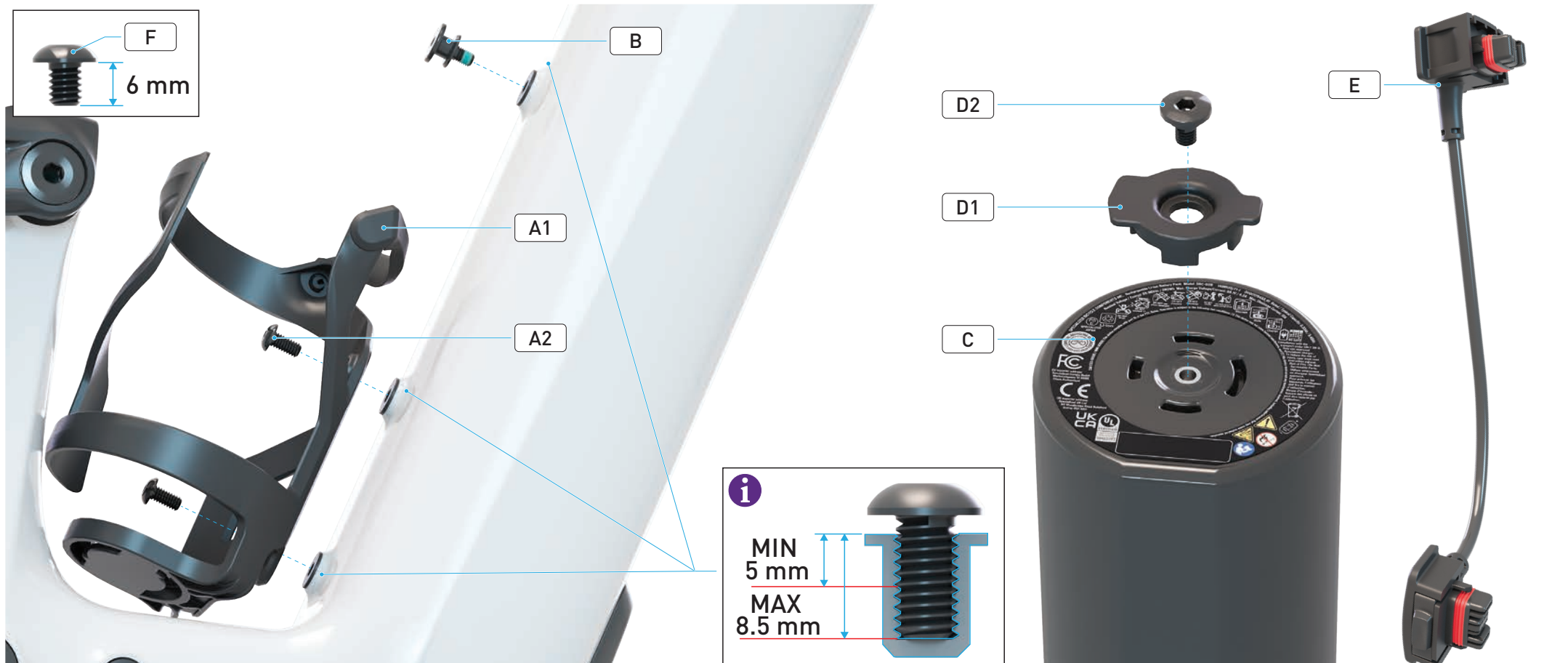
- i** Always place cables inside the coated side of the cable wrap.
- i** On Size S1 Alloy frames the cable wrap needs to be trimmed to 140 mm to fit in the smaller top tube space.

9.3. ICR PORTS



	PART NAME		PART #	ALT PART #	QTY	DESCRIPTION	TOOL	TORQUE		NOTES
								Nm	in-lbf	
A	A1	Headtube ICR Port - NDS	S246500007		1	ICR INSERT NDS,PA TRAIL H1,2X 5.5MM,M3				
	A2	Headtube ICR Port - DS			2	ICR INSERT DS,PA TRAIL H1,4.3MM SLOT,1X 5.5MM,M3				
	A3	Headtube ICR Port - Bolt			2	M3 x 6 mm x 0.5 mm P	2 mm hex	0.7	6	Apply to contact surface /avoid the thread
B	T3 Remote	S226800017			1	MASTERMIND T3 HANDLEBAR REMOTE				
C	ICR Port Grommet	S246500011			1	PLUG, ICR ENTRY/EXIT PORT, RIBBED SOLID RUBBER PLUG				Use to fill unused ICR ports

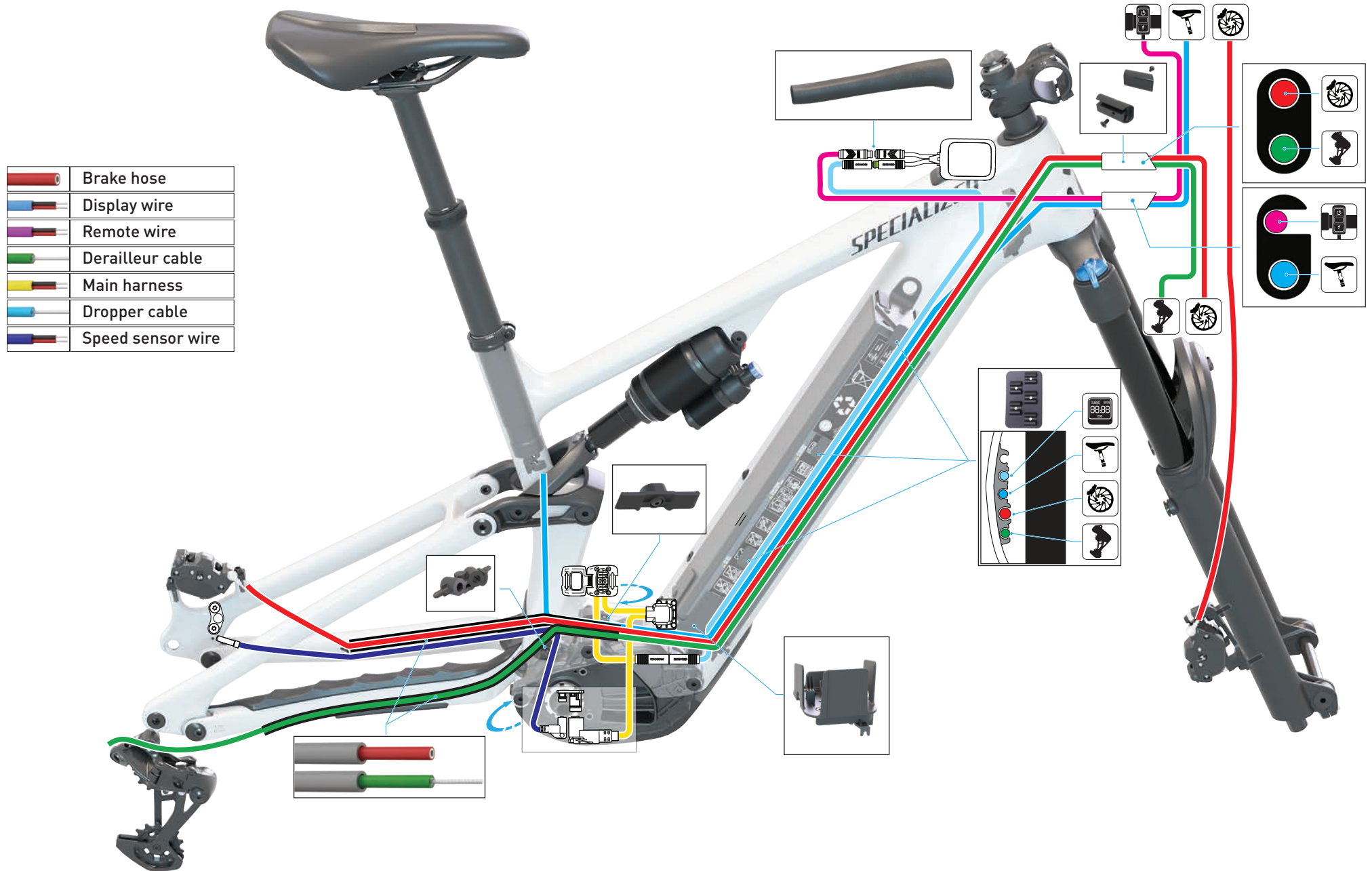
10. RANGE EXTENDER & BOTTLE CAGE

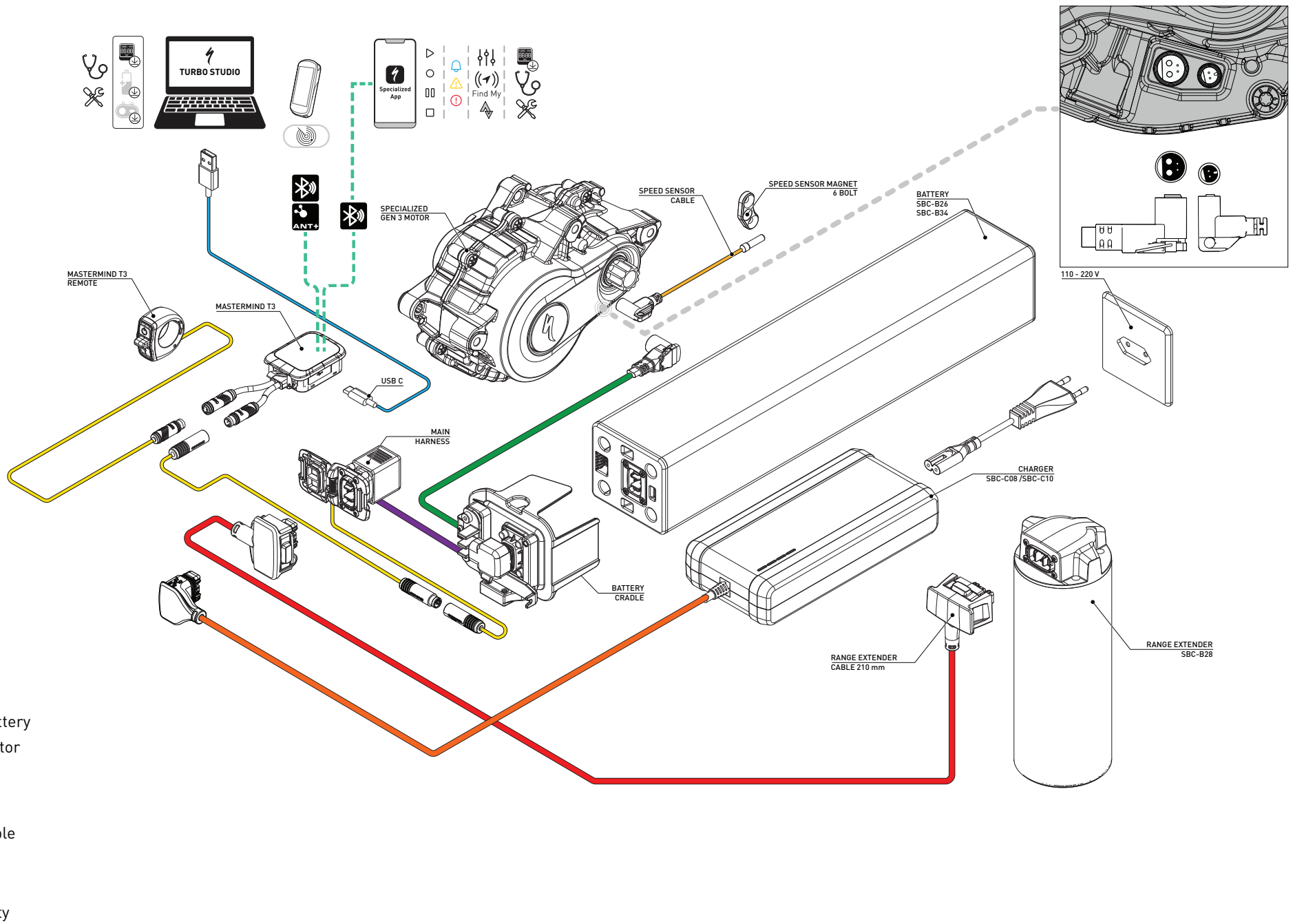


	PART NAME		PART #	ALT PART #	QTY	DESCRIPTION	TOOL	TORQUE		NOTES
								Nm	in-lbf	
A	A1	Bottle Cage	S249900016		1	SPECIALIZED FULL POWER 3.1 SYSTEM, ZEE CAGE FOR RANGE EXTENDER				
	A2	Bottle Cage Bolt	S230500005		2	M5 x 10 mm x 0.8 mm P	3 mm hex	2.2	19	
		S-Works Bottle Cage Bolt	S240500013		2	M5 x 10 mm x 0.8 mm P	3 mm hex	2.2	19	
B	Downtube Anchor Bolt		S240500012		1	M5 x 7 mm x 0.8 mm P	3 mm hex	2.2	19	
C	Range Extender		98924-5680		1	SPECIALIZED X2-280 BATTERY (SERVICE-AM) SINGLE PACK				
D	D1	Range Extender Bracket	S246800006		1	ICR INSERT DS,PA TRAIL H1,4.3MM SLOT,1X 5.5MM,M3				
	D2	Range Extender Bracket Bolt			1	M5 x 6 mm x 0.8 mm P	4 mm hex	2.5	22	
E	Range Extender Cable		98924-5660		1	Pluto RE Cable - 210mm				
F	Extra Short Bottle Cage Bolt		S240500013		2	M5 x 6 mm x 0.8 mm P	3 mm hex	2.2	19	Use with aftermarket bottle cage

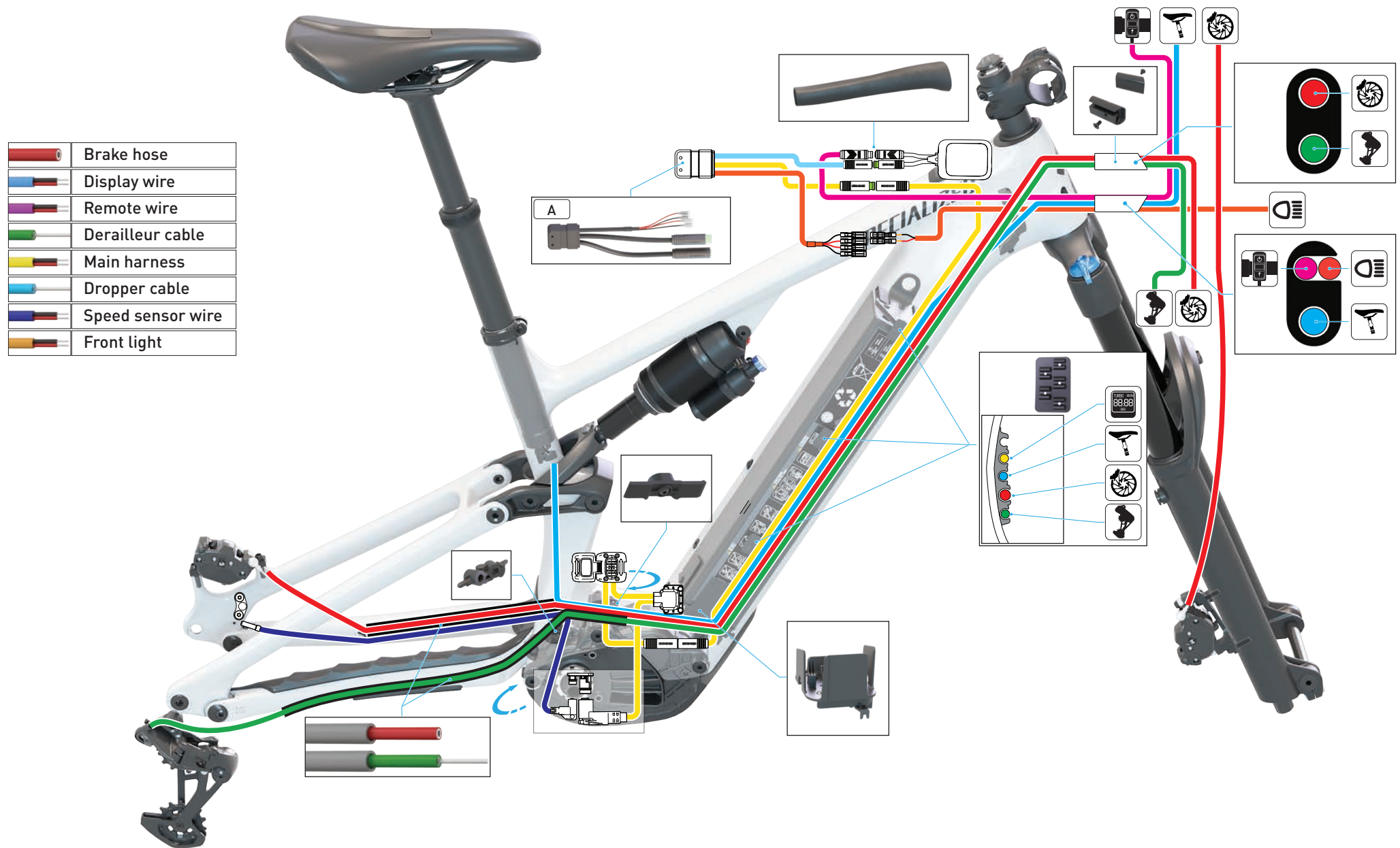
11. WIRING DIAGRAMS

11.1. BASE MODEL

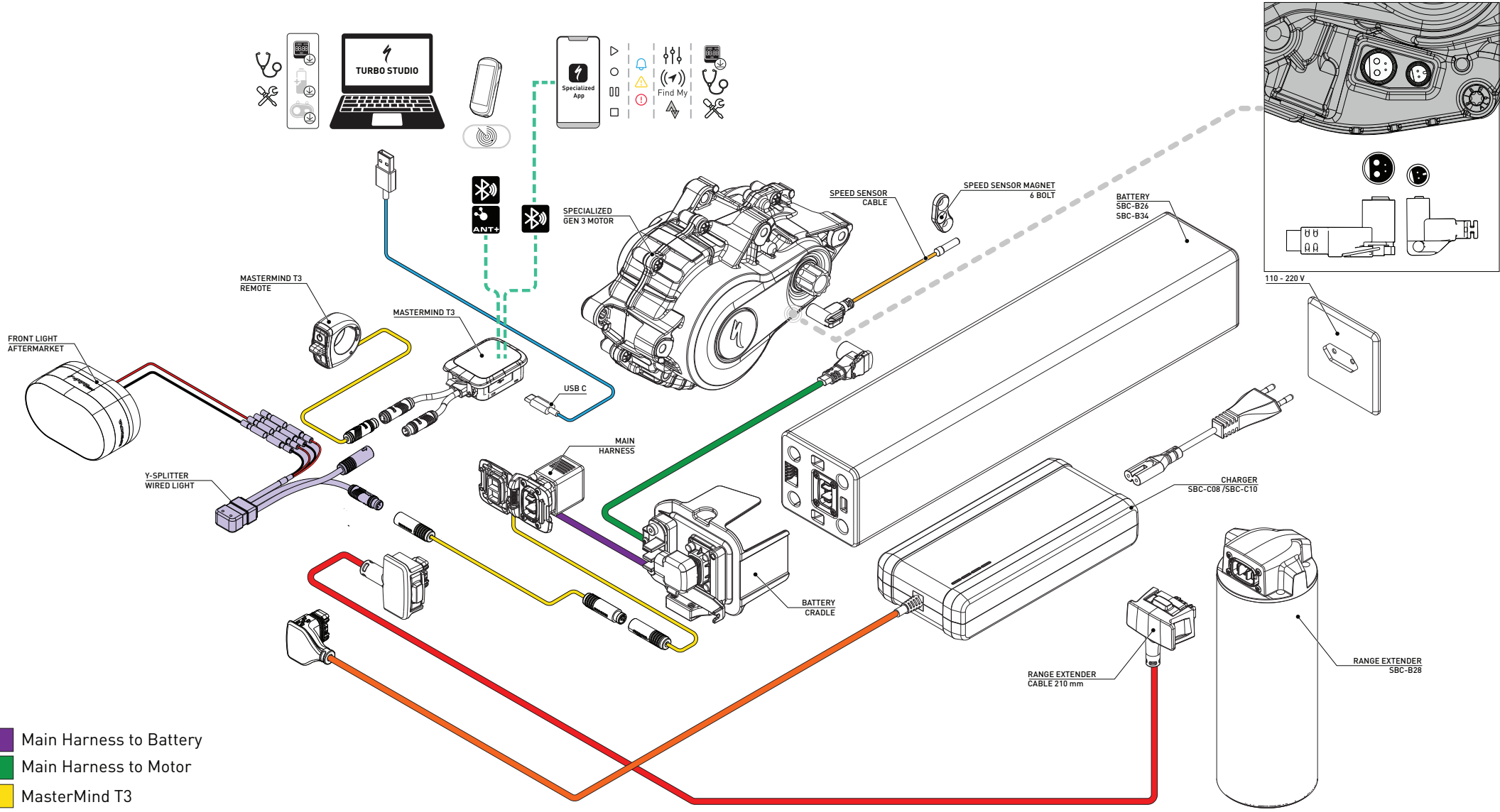




11.2. BASE MODEL - WITH LIGHT

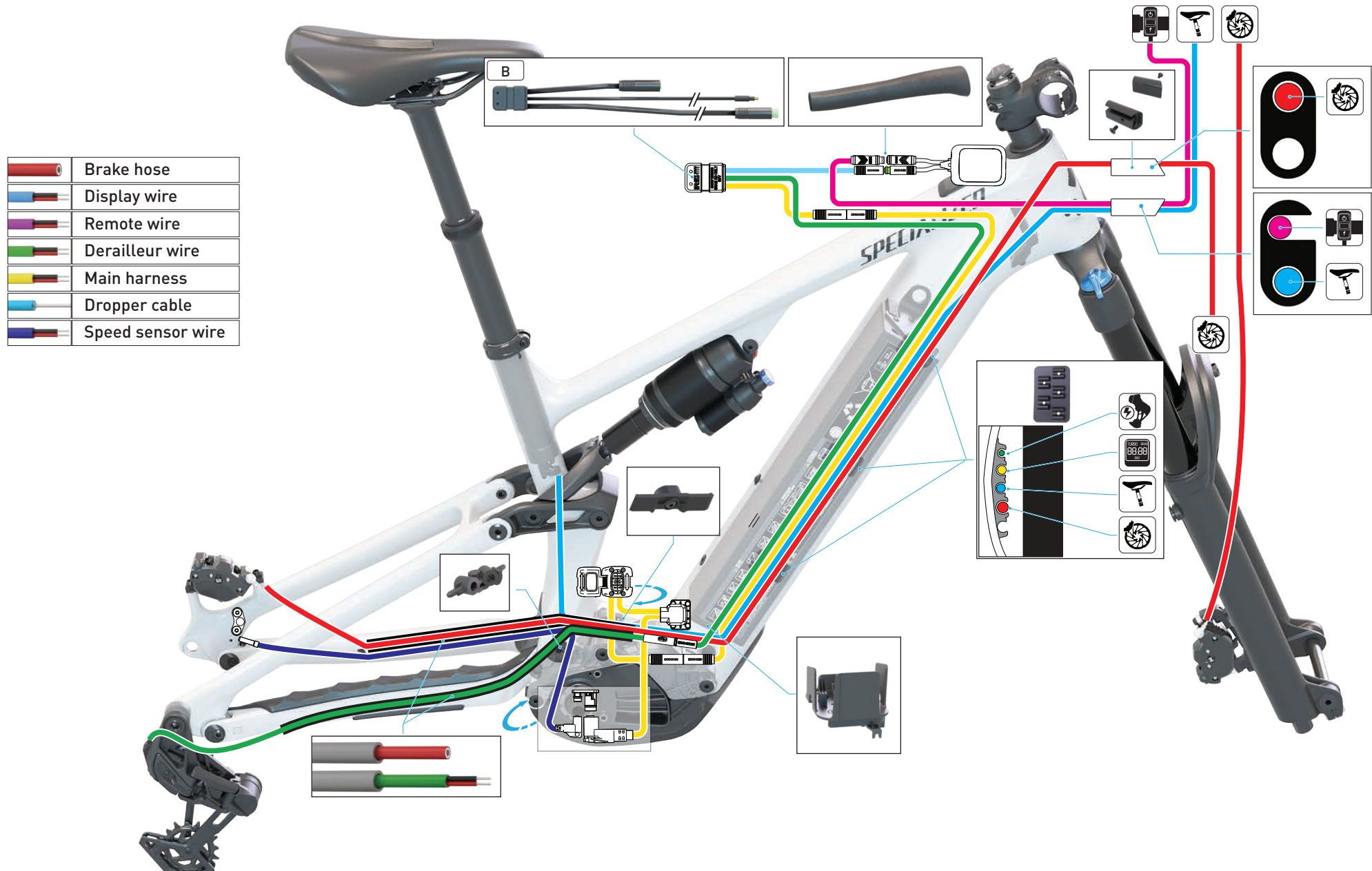


PART #	PART NAME	PART #	ALT PART #	QTY	DESCRIPTION	TOOL	TORQUE		NOTES
							Nm	in-lbf	
A	Y-Splitter for lights	S256800002		1	ELE WIRING, SPECIALIZED FULL POWER 3.1 SYSTEM, Y-SPLITTER FOR WIRED LIGHTS				

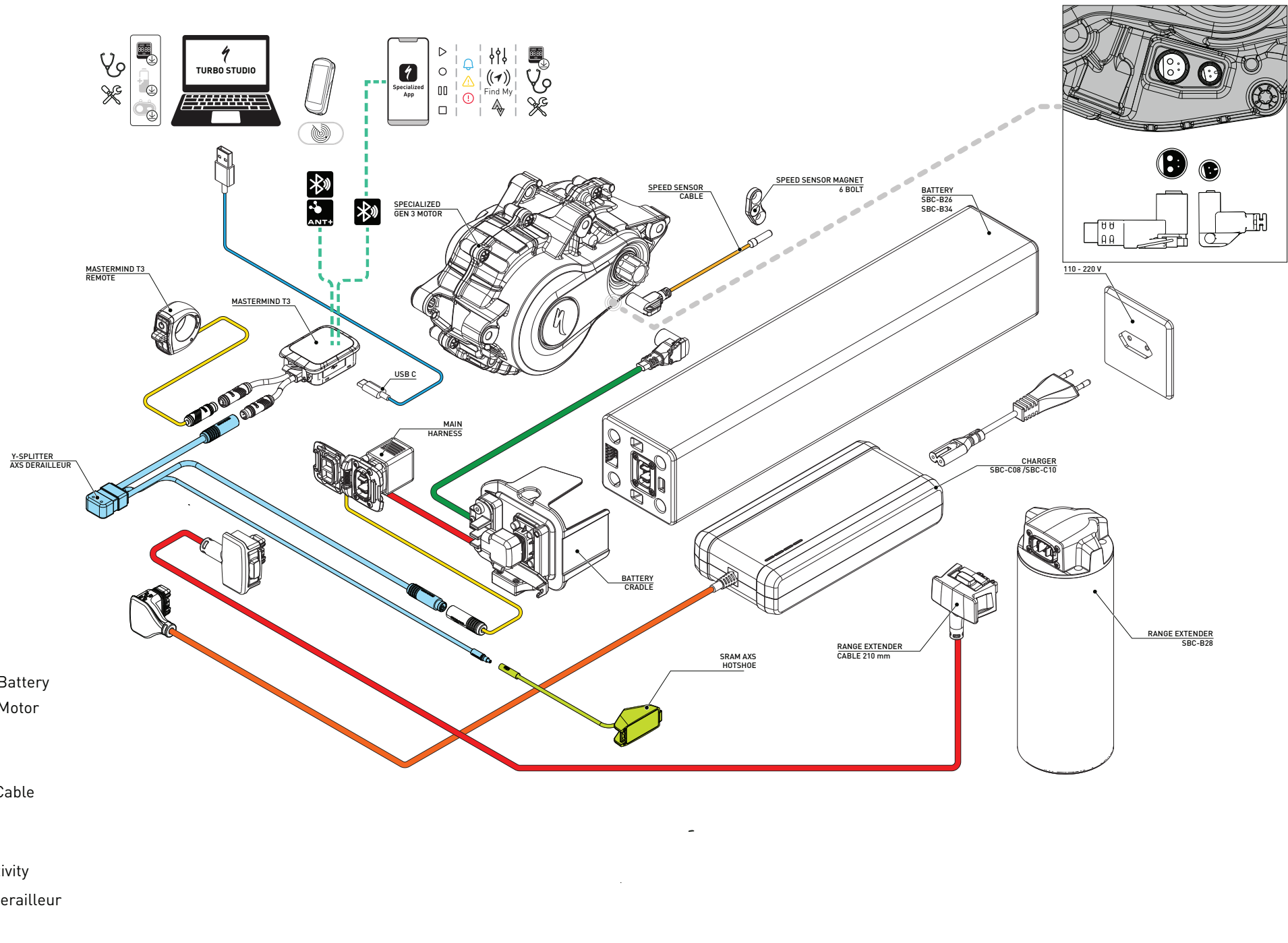


- Main Harness to Battery
- Main Harness to Motor
- MasterMind T3
- Speed Sensor
- Range Extender Cable
- Charger
- USB C
- Wireless Connectivity
- Y Splitter - Wired Light

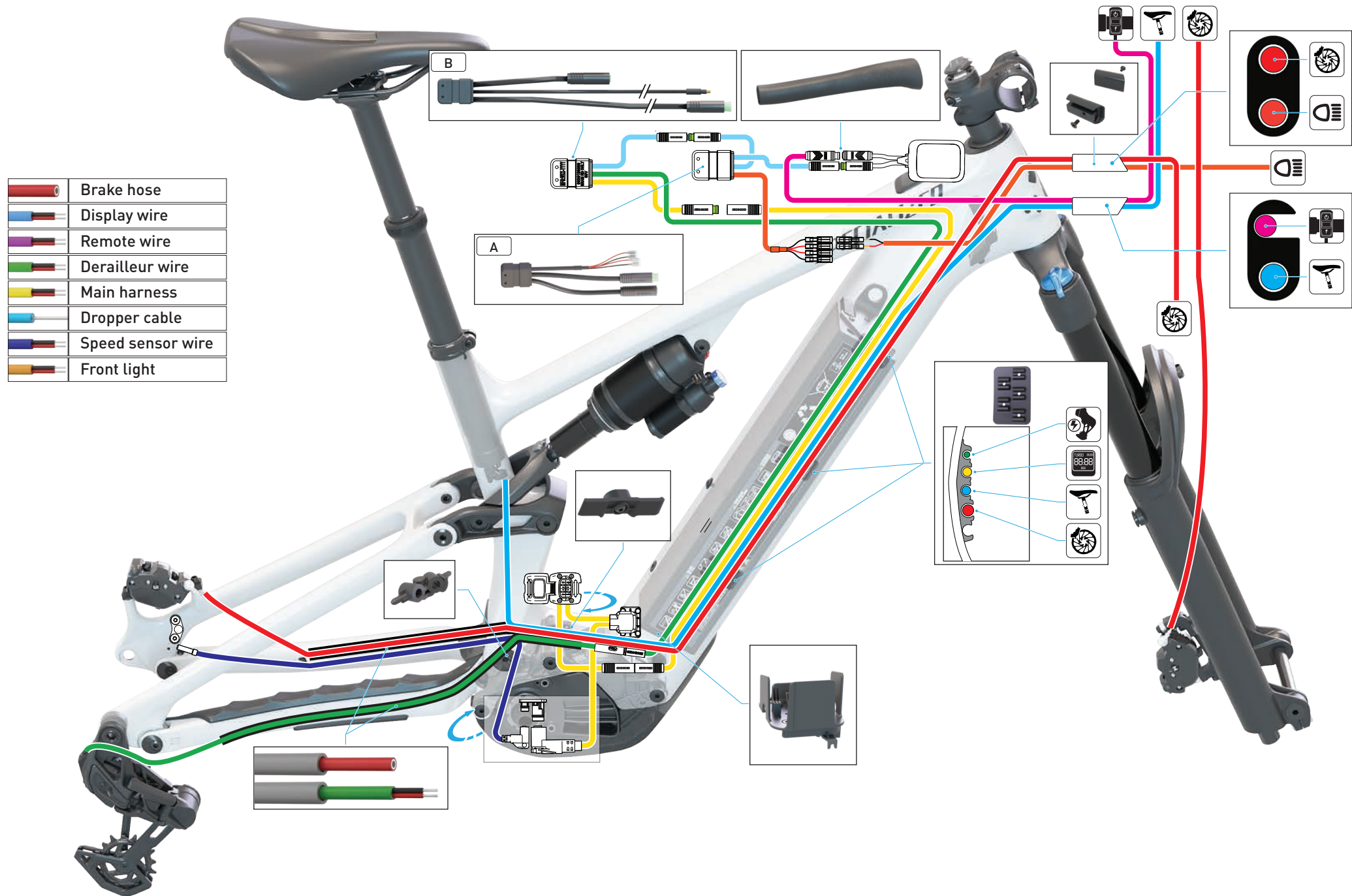
11.3. AXS EQUIPPED

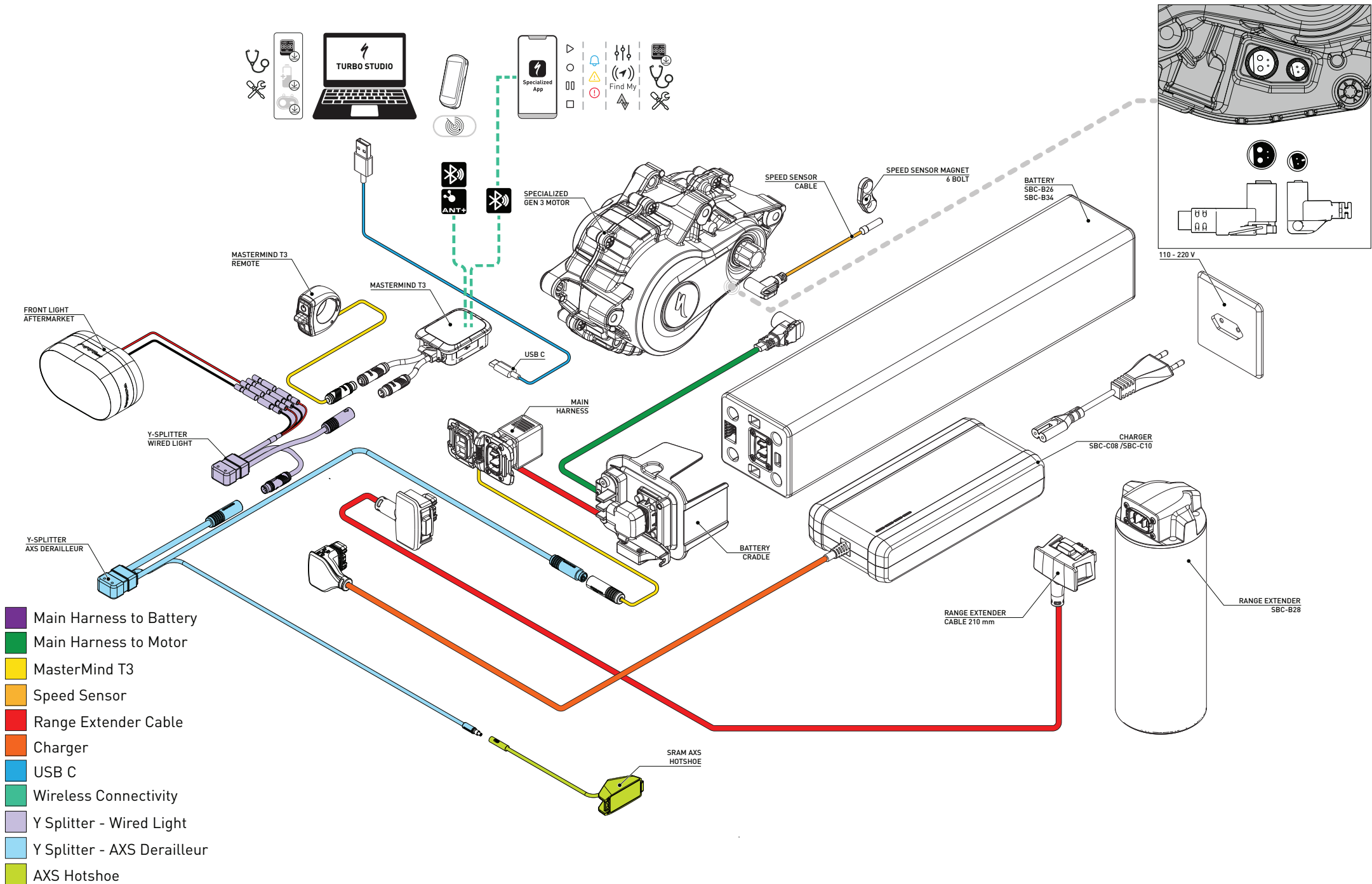


PART #	PART NAME	PART #	ALT PART #	QTY	DESCRIPTION	TOOL	TORQUE		NOTES
							Nm	in-lbf	
B	Y-Splitter for Wired AXS Derailleur	S246800020		1	CA,SPLTR,SRAM,AXS,60V,1000MM				



11.4. AXS EQUIPPED - WITH LIGHT

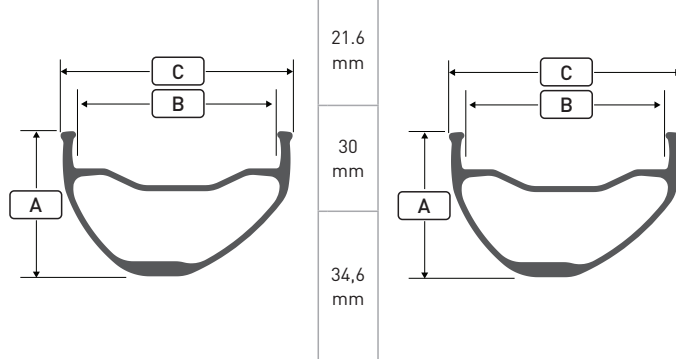




12. WHEELS AND HUBS

12.1. LEVO ALLOY / LEVO COMP ALLOY / LEVO COMP CARBON

SPECIFICATION		FRONT	REAR
Model Number			
Colorway		Anodised /Smoke	
Wheel Size		29"	27.5"
E.T.R.T.O. / Bead Seat Diameter		622 mm	584 mm
ERD		594 mm	556 mm
Rim Construction		Clincher with zero bead hook design	Clincher with zero bead hook design
Rim Material		6082 T6 Alloy	
Brake Compatibility		Disc 6-bolt	
Tubeless Compatibility		Yes	
Rim		Traverse HD, 29" Alloy, 28h	Traverse HD, 27.5" Alloy, 32h
Rim Holes		28 h / 6.2 mm Valve Hole	32 h / 6.2 mm Valve Hole
Rim Dimensions	A: Depth	21.6 mm	21.6 mm
	B: Internal Width	30 mm	30 mm
	C: External Width	34,6 mm	34,6 mm
Valve Type		Presta	
Valve Length		40 mm	
Hub Type		Alloy, sealed cartridge bearings, 15 x110 mm thru-axle, 28 h	Alloy, sealed cartridge bearings, 12 x148 mm thru-axle, 32 h
Hub Bearing Type		Sealed cartridge bearing	Sealed cartridge bearing
Hub Spacing		110 mm	148 mm
Brake Type		Disc 6-bolt	Disc 6-bolt
Bearing Dimensions	DS	18307 (18 x 30 x 7mm)	6902 (15 x 28 x 7mm)
	NDS	18307 (18 x 30 x 7mm)	6902 (15 x 28 x 7mm)
Driver Body Type		-	3-Pawl
Freehub Body Type		-	Shimano HG

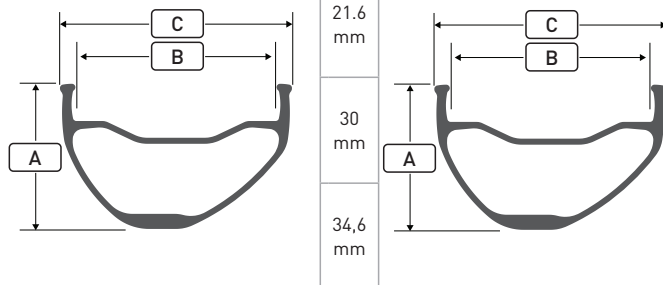


SPECIFICATION		FRONT	REAR
Spoke Type		J Bend	
Spoke Model		DT Swiss Elemental	
Lacing Pattern		2 x lacing	
Spoke Count		28 - 14:14	32 - 16:16
Spoke length	DS	282 mm	269 mm
	NDS	281 mm	271 mm
Nipples		Dt Swiss Brass Lead Free	
Nipple Size		2 mm x12 mm (1g)	
Approved Tire Widths		2.3" - 2.6"	
Max Rim Pressure *	Tire Size 24 - 35 mm	40 psi	40 psi
	Tire Size 36 - 38 mm	40 psi	40 psi
Max Weight Limit		300 lbs. / 136 kg.	
Rim Tape Width		DT, tubeless compatible, 32 mm wide	

*Always adhere to the max tire pressure of the used tire.

12.2. LEVO EXPERT CARBON

SPECIFICATION		FRONT	REAR
Model Number		Traverse HD Alloy 370 29"	Traverse HD Alloy 370 27.5"
Colorway		Black Anodised / Satin Black Decal	
Wheel Size		29"	27.5"
E.T.R.T.O. / Bead Seat Diameter		622 mm	584 mm
ERD		594 mm	556 mm
Rim Construction		Clincher with zero bead hook design	Clincher with zero bead hook design
Rim Material		6082 T6 Alloy	
Brake Compatibility		Disc 6-bolt	
Tubeless Compatibility		Yes	
Rim		Traverse HD, 29" Alloy, 28h	Traverse HD, 27.5" Alloy, 32h
Rim Holes		28 h / 6.2 mm Valve Hole	32 h / 6.2 mm Valve Hole
Rim Dimensions	A: Depth	21.6 mm	21.6 mm
	B: Internal Width	30 mm	30 mm
	C: External Width	34,6 mm	34,6 mm
Valve Type		Presta	
Valve Length		40 mm	
Hub Type		DT SWISS 370	DT SWISS 370
Hub Bearing Type		Sealed cartridge bearing	Sealed cartridge bearing
Hub Spacing		110 mm	148 mm
Brake Type		Disc 6-bolt	Disc 6-bolt
Bearing Dimensions	DS	6902 (15 x 28 x 7mm)	6902 (15 x 28 x 7mm)-
	NDS	6902 (15 x 28 x 7mm)	6902 (15 x 28 x 7mm)-
Driver Body Type		-	-
Freehub Body Type		-	DT Swiss Ratchet LN
Spoke Type		J Bend	
Spoke Model		Sapim Force Spokes	
Lacing Pattern		2-Cross (Tucked)	

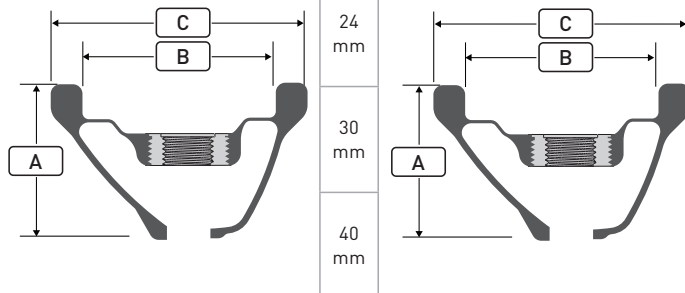


SPECIFICATION		FRONT	REAR
Spoke Count		28 - 14:14	32 - 16:16
Spoke length	DS	283 mm	270 mm
	NDS	281 mm	270 mm
Nipples		Sapim Double Square 2.0 mm brass nipple	
Nipple Size		2 mm x18 mm	
Approved Tire Widths		2.3"-2.6"	
Max Rim Pressure *		40 PSI	40 PSI
Max Weight Limit		275 lbs / 125 kg	
Rim Tape Width		DT, tubeless compatible, 32 mm wide	

*Always adhere to the max tire pressure of the used tire.

12.3. LEVO PRO CARBON

SPECIFICATION		FRONT	REAR
Model Number		Traverse HD 350	Traverse HD 350
Colorway		Satin Carbon / Black Decal	
Wheel Size		29"	27.5"
E.T.R.T.O. / Bead Seat Diameter		622 mm	584 mm
ERD		586.5 mm	548.5 mm
Weight		806g	995g
Rim Construction		Clincher with zero bead hook design	Clincher with zero bead hook design
Rim Material		Carbon	
Brake Compatibility		Disc (Center Lock)	
Tubeless Compatibility		Roval Tubeless Valve Stem - 37 mm, for Threaded Valve Hole	
Rim		Traverse HD, 29" Carbon, 28h	Traverse HD, 27.5" Carbon, 32h
Rim Holes		28 h / 6.4 mm Valve Hole	32 h / 6.4 mm Valve Hole
Rim Dimensions	A: Depth	24 mm	24 mm
	B: Internal Width	30 mm	30 mm
	C: External Width	40 mm	40 mm
Valve Type		Presta / Custom threaded tubeless valve	
Valve Length		37 mm	
Hub Type		DT SWISS 350	DT SWISS 350
Hub Bearing Type		Sealed cartridge bearing	Sealed cartridge bearing
Hub Spacing		110 mm	148 mm
Brake Type		Disc 6-bolt	Disc 6-bolt
Bearing Dimensions	DS	6902 (15 x 28 x 7mm)	6902 (15 x 28 x 7mm)
	NDS	6902 (15 x 28 x 7mm)	6902 (15 x 28 x 7mm)
Driver Body Type		-	-
Freehub Body Type		-	DT Swiss Star Ratchet
Spoke Type		J Bend	
Spoke Model		DT Swiss Competition Race	

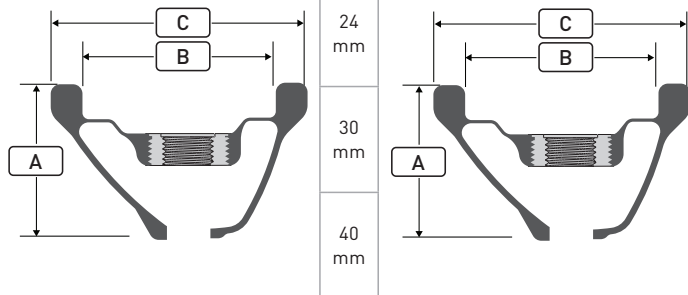


SPECIFICATION		FRONT	REAR
Lacing Pattern		2-Cross (Tucked)	
Spoke Count		28 - 14:14	32 - 16:16
Spoke length	DS	285 mm	263 mm
	NDS	281 mm	262 mm
Nipples		DT Swiss, Pro Lock Hexagonal, Alloy, 14G,	
Nipple Size		2 mm x 14 mm	
Approved Tire Widths		2.3"-2.6"	
Max Rim Pressure *		40 PSI	40 PSI
Max Weight Limit		275 lbs / 125 kg	
Rim Tape Width		Roval Tubeless Rim Tape, 32 mm wide	

*Always adhere to the max tire pressure of the used tire.

12.4. LEVO S-WORKS CARBON

SPECIFICATION		FRONT	REAR
Model Number		Traverse HD 240 DEG	Traverse HD 240 DEG
Colorway		Satin Carbon / Black Decal	
Wheel Size		29"	27.5"
E.T.R.T.O. / Bead Seat Diameter		622 mm	584 mm
ERD		586.5 mm	548.5 mm
Weight		768 g	938 g
Rim Construction		Clincher with zero bead hook design	Clincher with zero bead hook design
Rim Material		Carbon	
Brake Compatibility		Disc (Center Lock)	
Tubeless Compatibility		Roval Tubeless Valve Stem - 37 mm, for Threaded Valve Hole	
Rim		Traverse HD, 29" Carbon,, 28h	Traverse HD, 27.5" Carbon, 32h
Rim Holes		28 h / 6.4 mm Valve Hole	32 h / 6.4 mm Valve Hole
Rim Dimensions	A: Depth	24 mm	24 mm
	B: Internal Width	30 mm	30 mm
	C: External Width	40 mm	40 mm
Valve Type		Presta / Custom threaded tubeless valve	
Valve Length		37 mm	
Hub Type		DT SWISS 240	DT SWISS 240
Hub Bearing Type		Sealed cartridge bearing	Sealed cartridge bearing
Hub Spacing		110 mm	148 mm
Brake Type		Disc 6-bolt	Disc 6-bolt
Bearing Dimensions	DS	1728 (17 x 28 x 7 mm)	1526 (15 x 26 x 7 mm)
	NDS	1728 (17 x 28 x 7 mm)	1526 (15 x 26 x 7 mm)
Driver Body Type		-	-
Freehub Body Type		-	DT Swiss Ratchet DEG
Spoke Type		J Bend	
Spoke Model		DT Swiss Revolite	

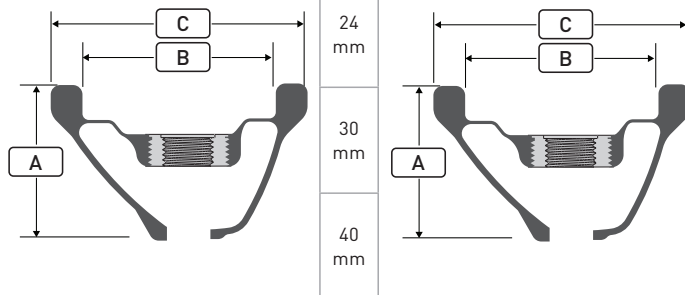


SPECIFICATION		FRONT	REAR
Lacing Pattern		2-Cross (Tucked)	
Spoke Count		28 - 14:14	32 - 16:16
Spoke length	DS	283 mm	269 mm
	NDS	280 mm	271 mm
Nipples		DT Swiss, Pro Lock Hexagonal, Alloy, 14G,	
Nipple Size		2 mm x 14 mm	
Approved Tire Widths		2.3"-2.6"	
Max Rim Pressure *		40 PSI	40 PSI
Max Weight Limit		275 lbs / 125 kg	
Rim Tape Width		Roval Tubeless Rim Tape, 32 mm wide	

*Always adhere to the max tire pressure of the used tire.

12.5. LEVO S-WORKS LTD CARBON

SPECIFICATION		FRONT	REAR
Model Number		WH-TRAVERSE HD HYDRA	WH-TRAVERSE HD HYDRA
Colorway		Raw Carbon / Black Decal	
Wheel Size		29"	27.5"
E.T.R.T.O. / Bead Seat Diameter		622 mm	584 mm
ERD		586.5 mm	548.5 mm
Rim Construction		Clincher with zero bead hook design	Clincher with zero bead hook design
Rim Material		Carbon	
Brake Compatibility		Disc 6-Bolt	
Tubeless Compatibility		Roval Tubeless Valve Stem - 37 mm, for Threaded Valve Hole	
Rim		Traverse HD, 29" Carbon, 28h	Traverse HD, 27.5" Carbon,, 32h
Rim Holes		28 h / 6.4 mm Valve Hole	32 h / 6.4 mm Valve Hole
Rim Dimensions	A: Depth	24 mm	24 mm
	B: Internal Width	30 mm	30 mm
	C: External Width	40 mm	40 mm
Valve Type		Presta / Custom threaded tubeless valve	
Valve Length		37 mm	
Hub Type		Industry 9 Hydra 2	Industry 9 Hydra 2
Hub Bearing Type		Sealed cartridge bearing	Sealed cartridge bearing
Hub Spacing		110 x 20 mm	148 mm
Brake Type		Disc 6-bolt	
Bearing Dimensions	DS	61805 (25 x 37 x 7 mm)	61903 (17 x 30 x 7 mm)
	NDS	61805 (25 x 37 x 7 mm)	61903 (17 x 30 x 7 mm)
Driver Body Type		-	-
Freehub Body Type		-	Industry Nine Hydra 2
Spoke Type		J Bend	
Spoke Model		DT Swiss Revolite	
Lacing Pattern		2-Cross (Tucked)	



SPECIFICATION		FRONT	REAR
Spoke Count		28 - 14:14	32 - 16:16
Spoke length	DS	283 mm	268 mm
	NDS	281 mm	270 mm
Nipples		DT Swiss, Pro Lock Hexagonal, Alloy, 14G,	
Nipple Size		2 mm x 14 mm	
Approved Tire Widths		2.3"-2.6"	
Max Rim Pressure *		40 PSI	40 PSI
Max Weight Limit		275 lbs. / 125 kg	
Rim Tape Width		Roval Tubeless Rim Tape, 32 mm wide	

*Always adhere to the max tire pressure of the used tire.

13. ADDITIONAL SERVICE PARTS

PART NAME	PART #	QTY	DESCRIPTION	NOTES
SBC-C09 Fast Charger	98924-5640	1	TURBO 3.1 SMART CHARGER W/AUS CABLE	Supplied with S-Works Models
	98924-5641	1	TURBO 3.1 SMART CHARGER W/CHINA CABLE	
	98924-5642	1	TURBO 3.1 SMART CHARGER W/EU CABLE	
	98924-5643	1	TURBO 3.1 SMART CHARGER W/UK CABLE	
	98924-5644	1	TURBO 3.1 SMART CHARGER W/USA CABLE	
SBC-C08/ SBC-C10 Standard Charger	98924-5645	1	TURBO 3.1 STANDARD CHARGER W/AUS CABLE	
	98924-5646	1	TURBO 3.1 STANDARD CHARGER W/CHINA CABLE	
	98924-5647	1	TURBO 3.1 STANDARD CHARGER W/EU CABLE	
	98924-5648	1	TURBO 3.1 STANDARD CHARGER W/UK CABLE	
	98924-5649	1	TURBO 3.1 STANDARD CHARGER W/USA CABLE	
Cable Binder	S256500001	1	CBG CABLE CLIP, CLEAN COCKPIT CABLE BINDER, FOR 5MM/3MM CABLES, PLASTIC (1 PCS.) (CC1028DB-J)	
Driveside Seatstay Inner Foam Protector	S199900019	1	MSC PROTECTOR, DRIVESIDE SEATSTAY INNER FOAM PROTECTOR, W/ ADHESIVE BACKING	
Seatpost Shim	S174900001	1	STP SUB, SEATPOST SHIM, 34.9MM OD - 30.9MM ID	
Tubeless Valve Stem	S225500057	1	WHL SUB, ROVAL TUBELESS VALVE STEM - 37MM, FOR THREADED VALVE HOLE (1 PCS.)	S-Works & Pro Models Only
Downtube Cable Guide	S246500006	1	CBG CABLE CHANNEL, LEVO 4, DOWNTUBE INTERNAL CABLE CHANNEL, 5-CABLES, W/ ADHESIVE BACKING (1 PCS.)	3 Required
Battery Diagnostic Cable	S256800001	1	ELE BATTERY, SPECIALIZED FULL POWER 3.1 SYSTEM, BATTERY DIAGNOSTIC ADAPTER CABLE	
Battery Connector Downtube Cover	S246800008	1	ELE COVER, LEVO 4, BATTERY CONNECTOR DOWNTUBE COVER	
Shuttle Guard	S259900001	1	MSC PROTECTOR, LARGE SHUTTLE GUARD, UPPER DOWNTUBE, RUBBER WITH ADHESIVE BACKING	
Seatpost Clamp	S214700007	1	STC 38.6MM SEATPOST CLAMP, BOLT-ON COLLAR (V3)	

13.1. BATTERY DOORS BY MODEL / COLOR

C	Levo S-Works	S246800010	Gloss Red Pearl / Black / Metallic White Silver	C	Levo Expert Carbon	S256800012	Gloss Cypress Metallic / Silver Dust
	Levo S-Works	S246800011	Gloss Glacial Metallic / Red Pearl / Black Pearl		Levo Expert Carbon	S256800013	Satin Burnt Gold Metallic / Doppio
	Levo S-Works	S256800017	Gloss Laurel Green / Burnt Gold / Chrome		Levo Expert Carbon Warranty Frame	S256800014	Gloss Birch / Taupe
	Levo S-Works Frameset	S246800012	Satin Taupe / Gunmetal Strata / Metallic Obsidian		Levo Expert Carbon Warranty Frame	S256800015	Satin Rusted Red / Redwood
	Levo Pro	S246800014	Gloss Blue Onyx / Dark Navy / Brich		Levo Alloy	S256800004	Gloss Deep Orange / Deep Lake
	Levo Pro	S246800031	Gloss Metallic Obsidian / Burnt Gold Metallic		Levo Alloy	S256800005	Gloss Metallic Obsidian / Silver Dust
	Levo S-Works Warranty Frame	S246800013	Gloss Oak Green / Dark Moss Green		Levo Alloy	S256800006	Satin Cypress Metallic / Dark Moss Green
	Levo S-Works Warranty Frame	S246800009	Satin Mystic Blue / Morning Mist		Levo Comp Alloy	S256800007	Gloss Deep Lake Metallic / Dune White
	Levo S-Works LTD	S246800030	Astral Blue / Dark Navy / Chrome Strata		Levo Comp Alloy	S256800008	Satin Dusky Pink / Cypress Metallic
	Levo Comp Carbon	S256800010	Gloss Orange Tint Over Silver Dust / Dark Navy		Levo Comp Alloy	S256800009	Satin Gunmetal / Obsidian
Levo Comp Carbon	S256800011	Satin Champagne / Metallic Obsidian					

SPECIALIZED

SPECIALIZED BICYCLE COMPONENTS
15130 Concord Circle, Morgan Hill, CA 95037 (408) 779-6229